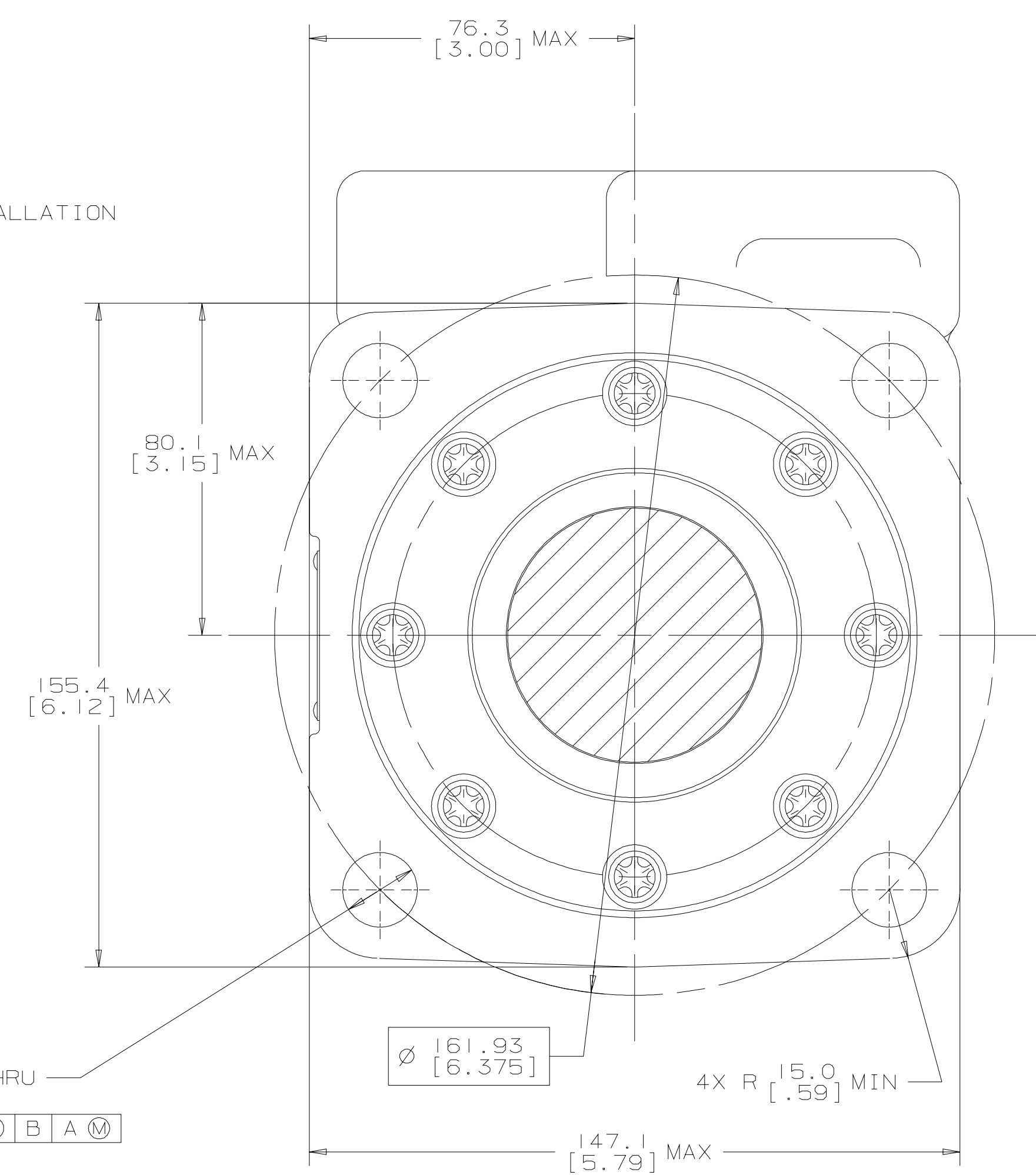
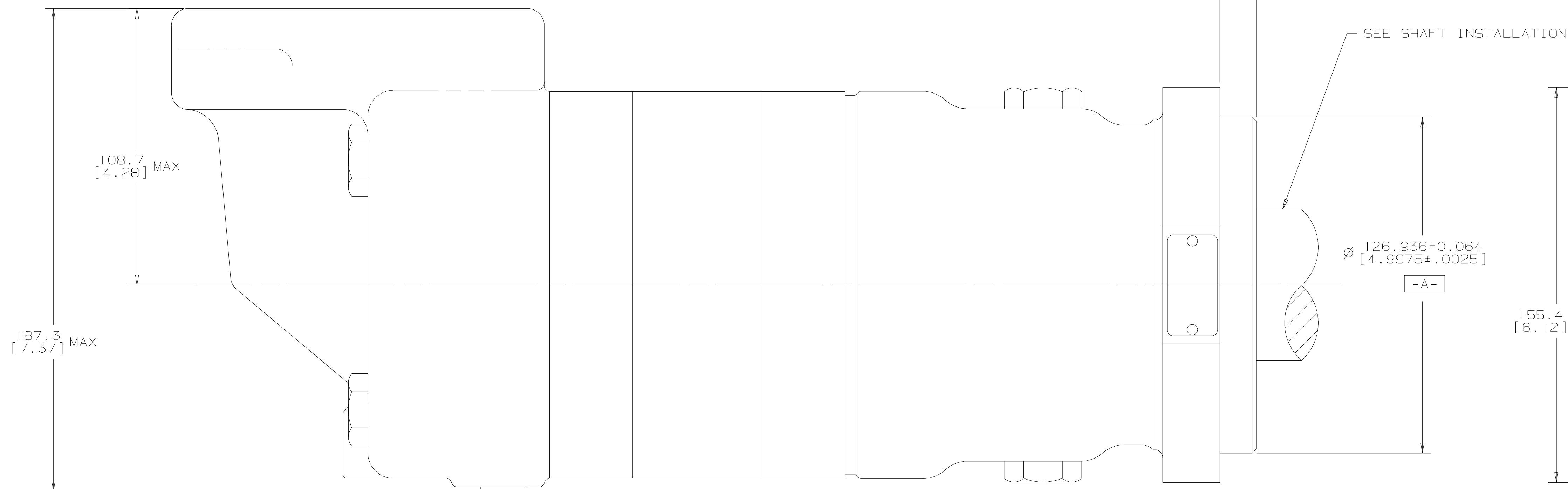
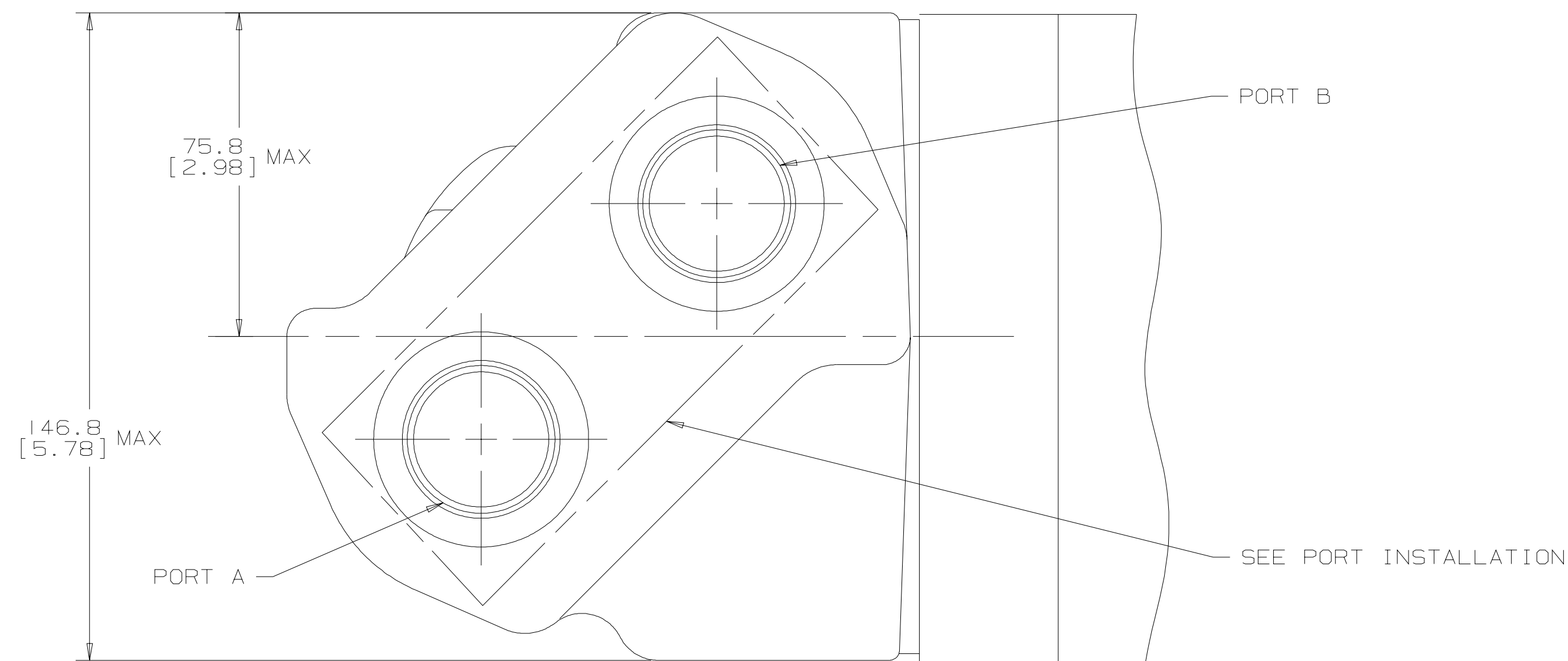


REV	DESCRIPTION	BY	DATE	ECN
A	ENGINEERING RELEASE	KJR	6-28-94	25183
B	(6A) MOUNTING TYPE WAS "A"	JSB	4-17-07	0004973
C	REVISED	VBH	6-23-09	M71199B



4X $\varnothing 16.76 \pm 0.25$ THRU
 $\varnothing 1.06$ [.040] M B A M

NOTE

- ROTATION:
 STANDARD: WHEN FACING SHAFT END OF MOTOR, SHAFT TO ROTATE: CLOCKWISE WHEN PORT "A" IS PRESSURIZED COUNTERCLOCKWISE WHEN PORT "B" IS PRESSURIZED
 REVERSE: WHEN FACING SHAFT END OF MOTOR, SHAFT TO ROTATE: COUNTERCLOCKWISE WHEN PORT "B" IS PRESSURIZED CLOCKWISE WHEN PORT "A" IS PRESSURIZED
- MOUNTING TYPE: AA
 STANDARD, 4 BOLT: $\varnothing 127.0$ [5.00] PILOT, $\varnothing 16.76$ [.660] HOLES ON $\varnothing 161.93$ [6.375] BOLT CIRCLE.

REVIEWED FOR CLASSIFICATION PER ESP-042

UNLESS OTHERWISE SPECIFIED ALL DIMENSIONS ARE IN		DRAWING BASED ON ANSI Y14.5M-1982	
INCHES <input type="checkbox"/>	MILLIMETERS <input checked="" type="checkbox"/>	THE REPRODUCTION, DISTRIBUTION, AND UTILIZATION OF THIS DOCUMENT, AS WELL AS THE COMMUNICATION OF ITS CONTENTS TO OTHERS WITHOUT EXPLICIT AUTHORIZATION IS PROHIBITED. OFFENDERS WILL BE HELD LIABLE FOR THE PAYMENT OF DAMAGES. ALL RIGHTS RESERVED IN THE EVENT OF THE GRANT OF A PATENT, UTILITY MODEL, OR DESIGN. (PER ISO 16016)	
TOLERANCES			
.X ± .01	.XX ± REF	DRAWN: KJR	MATERIAL/HEAT TREAT
.XXX ± ONLY	< ± .005	BY/DATE: 2-28-94	---
UNSPECIFIED RADIUS ARE:	UNSPECIFIED DRAFT ANGLES ARE:	CHECKED BY/DATE	TITLE
---	---	ENGRG BY/DATE	10,000 SERIES MOTOR INSTALLATION
---	---	METALLOG BY/DATE	NUMBER
---	---	---	A-828-001
---	---	THIRD ANGLE PROJECTION	SCALE 1/1
D SIZE	DO NOT SCALE	ARITHMETICAL AVERAGE	SHEET 1 OF 1