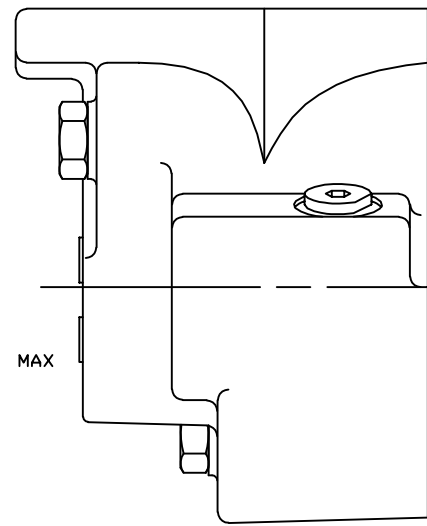
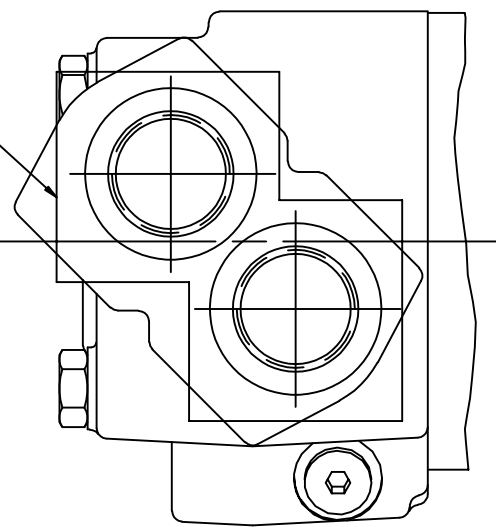
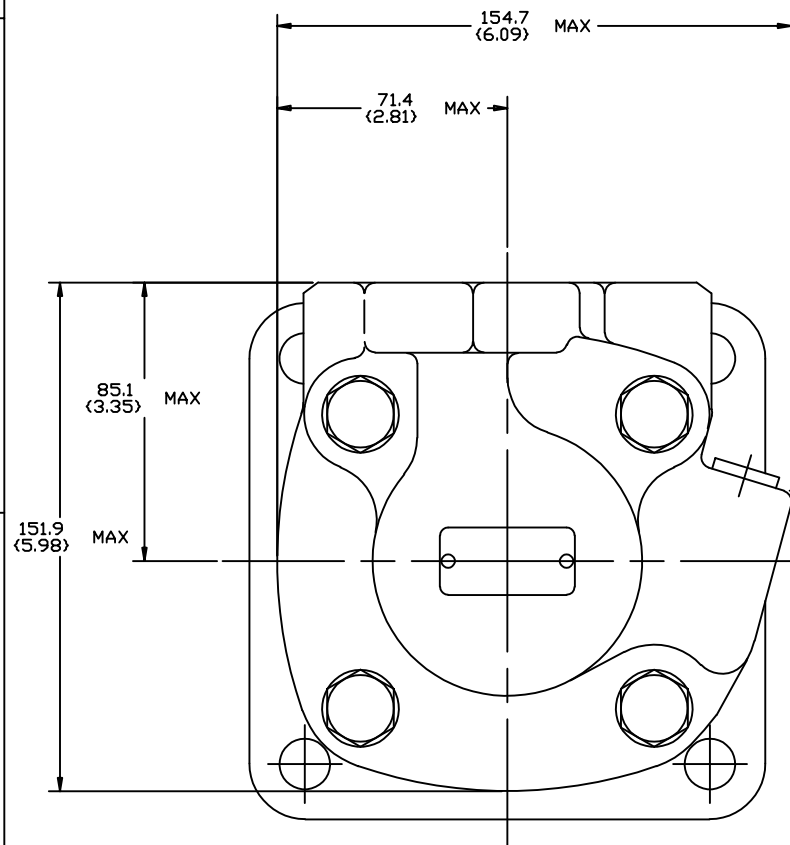
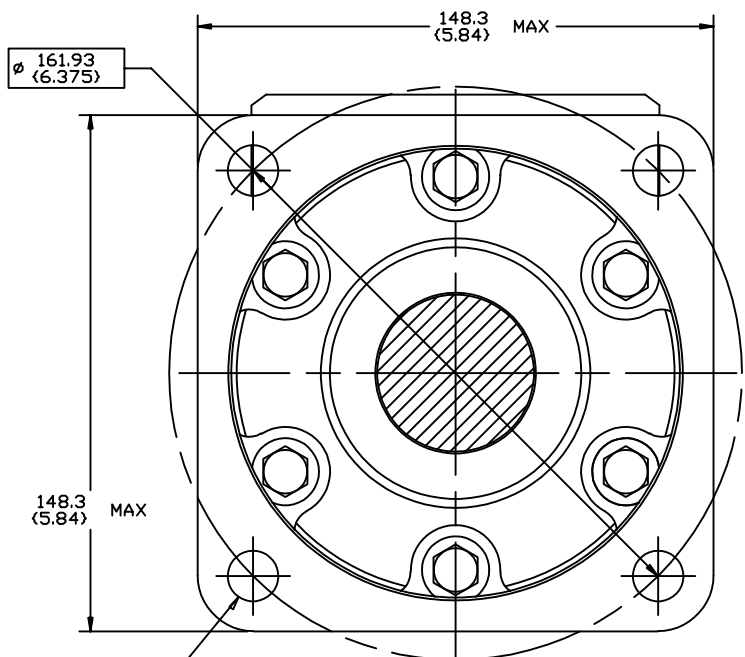
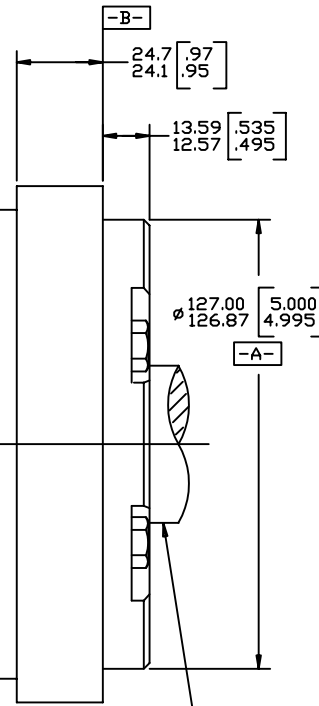


REV	DESCRIPTION	BY	CHK	DATE	ECN
A	ENGINEERING RELEASE	RAF		8-30-95	M14044
B	<4A> MOUNTING TYPE WAS 'B'	SSD		12-11-06	0001664
C	REVISED	HRK	KKS	7-08-09	18023
D	<8C> REMOVED R (3.87) MAX	SMK	PJ	11-30-17	0087362

SEE PORT INSTALLATION FOR PORTING INFORMATION



SEE SHAFT INSTALLATION



4X ϕ 14.53 (0.572) / 14.14 (0.557)
 ϕ 0.86 (0.034) M B A M

NOTE

1 ROTATION

STANDARD; WHEN FACING SHAFT END OF MOTOR, SHAFT TO ROTATE: CLOCKWISE WHEN PORT 'A' IS PRESSURIZED COUNTERCLOCKWISE WHEN PORT 'B' IS PRESSURIZED
 REVERSE; WHEN FACING SHAFT END OF MOTOR, SHAFT TO ROTATE: CLOCKWISE WHEN PORT 'B' IS PRESSURIZED COUNTERCLOCKWISE WHEN PORT 'A' IS PRESSURIZED

2 MOUNTING TYPE: AB

STANDARD, (SAE CC), 4 BOLT: ϕ 127.0 (5.00) PILOT ϕ 14.35 (0.565) HOLES ON ϕ 162.0 (6.38) BOLT CIRCLE

UNLESS OTHERWISE SPECIFIED ALL DIMENSIONS ARE IN INCHES <input type="checkbox"/> MILLIMETERS (CHOOSE) TOLERANCES X ± ---- XX ± REF XXX ± ONLY < ± ---- UNSPECIFIED RADII ARE ---- UNSPECIFIED DRAFT ANGLES ARE ---- DRAWING FORMAT CAD <input type="checkbox"/> MANUAL <input type="checkbox"/>	DRAWING BASED ON ANSI Y14.5M-1982			
	THE REPRODUCTION, DISTRIBUTION, AND UTILIZATION OF THIS DOCUMENT, AS WELL AS THE COMMUNICATION OF ITS CONTENTS TO OTHERS WITHOUT EXPLICIT AUTHORIZATION IS PROHIBITED. OFFENDERS WILL BE HELD LIABLE FOR THE PAYMENT OF DAMAGES. ALL RIGHTS RESERVED IN THE EVENT OF THE GRANT OF A PATENT, UTILITY MODEL, OR DESIGN. (PER ISO 18016)			
	DRAWN BY/DATE: RAF 9-1-95 CHECKED BY/DATE:	MATERIAL/HEAT TREAT:		
	ENGR BY/DATE:	TITLE: 6000 SERIES MOTOR INSTALL		
UNSPECIFIED DRAFT ANGLES ARE ---- THIRD ANGLE PROJECTION	METALLURGY BY/DATE:	MICROFINISHES (CHECKED) <input type="checkbox"/> NUMBER:	A-1013-001	
DRAWING FORMAT CAD <input type="checkbox"/> MANUAL <input type="checkbox"/>	DO NOT SCALE	ARITHMETICAL AVERAGE	SCALE 1/1 SHEET 1 OF 1	