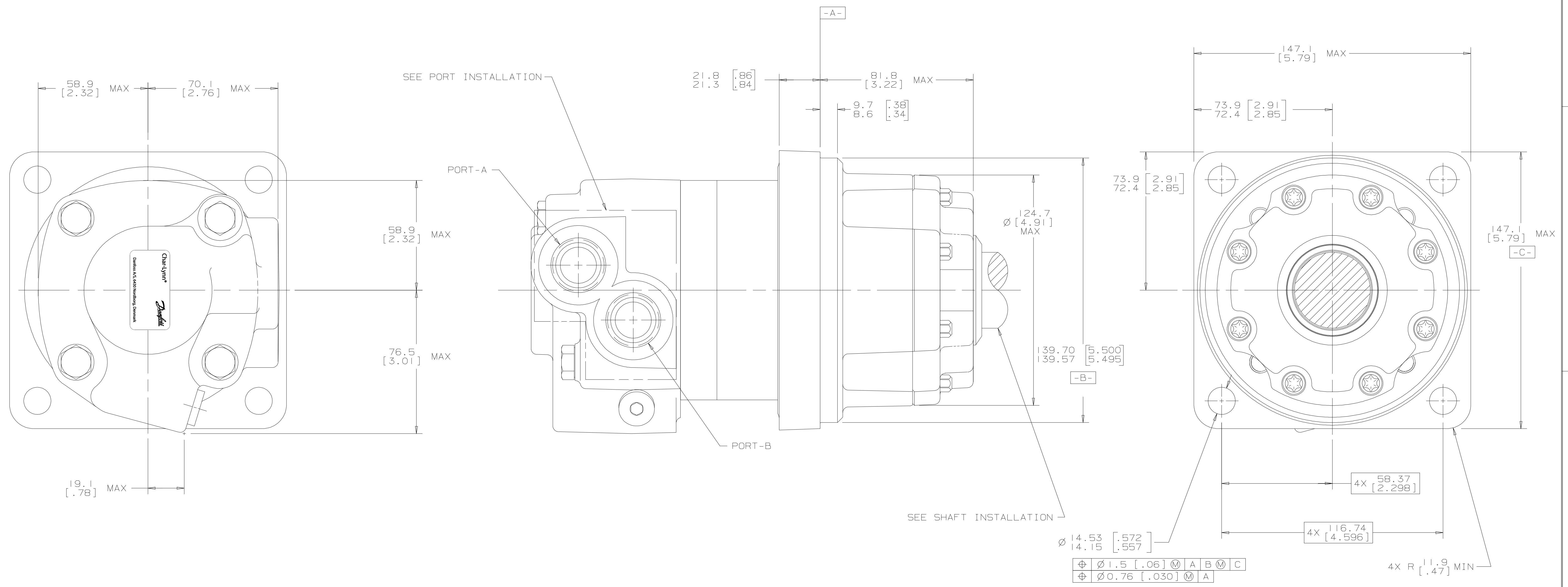


REV	DESCRIPTION	BY	CHK	DATE	ECN
A	ENGINEERING RELEASE	MLL		2-12-02	M27248
B	-1) (6A) MOUNTING TYPE WAS "C" -2) (6A) NOTE "3" REVISED	SSD		1-24-07	0002527



ϕ	14.53	[.572]				
ϕ	14.15	[.557]				
ϕ	1.5	[.06]	M	A	B	C
ϕ	0.76	[.030]	M			A

NOTE

1 ROTATION:
STANDARD; WHEN FACING SHAFT END OF MOTOR, SHAFT TO ROTATE;
CLOCKWISE WHEN PORT "A" IS PRESSURIZED
COUNTERCLOCKWISE WHEN PORT "B" IS PRESSURIZED

REVERSE; WHEN FACING SHAFT END OF MOTOR, SHAFT TO ROTATE;
CLOCKWISE WHEN PORT "B" IS PRESSURIZED.
COUNTERCLOCKWISE WHEN PORT "A" IS PRESSURIZED

2 MOUNTING TYPE: AC
WHEEL, 4 BOLT: 139.70 [5.500] PILOT DIA.
14.27 [.562] DIA. HOLES ON 165.10 [6.500]
DIA. BOLT CIRCLE

3 SEAL OPTION: 4
SLINGER PROTECTOR (SEAL)

UNLESS OTHERWISE SPECIFIED ALL DIMENSIONS ARE IN INCHES <input type="checkbox"/> MILLIMETERS <input checked="" type="checkbox"/>		DRAWING BASED ON ANSI Y14.5M-1982	
THE REPRODUCTION, DISTRIBUTION, AND UTILIZATION OF THIS DOCUMENT, AS WELL AS THE COMMUNICATION OF ITS CONTENTS TO OTHERS WITHOUT EXPLICIT AUTHORIZATION IS PROHIBITED. OFFENDERS WILL BE HELD LIABLE FOR THE PAYMENT OF DAMAGES. ALL RIGHTS RESERVED IN THE EVENT OF THE GRANT OF A PATENT, UTILITY MODEL, OR DESIGN. (PER ISO 16016)			
TOLERANCES .XX +----- .XXX +----- /-----		DRWN BY/DATE MLL 2-13-02	MATERIAL/HEAT TREAT
UNSPECIFIED RADII ARE -----		CHECKED BY/DATE SMM 2-15-02	
UNSPECIFIED DRAFT ANGLES ARE -----		ENGRD BY/DATE TIM 2-19-02	TITLE
DRAWING FORMAT CADD <input checked="" type="checkbox"/> MANUAL <input type="checkbox"/>		METALLURGY -----	4000 SERIES MOTOR INSTALLATION
THIRD ANGLE PROJECTION		THIRD ANGLE PROJECTION	NUMBER A-599-001
DO NOT SCALE		ARTHEMATICAL AVERAGE	SCALE 1/1 SHEET 1 OF 1