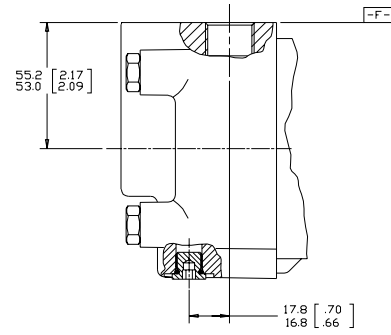
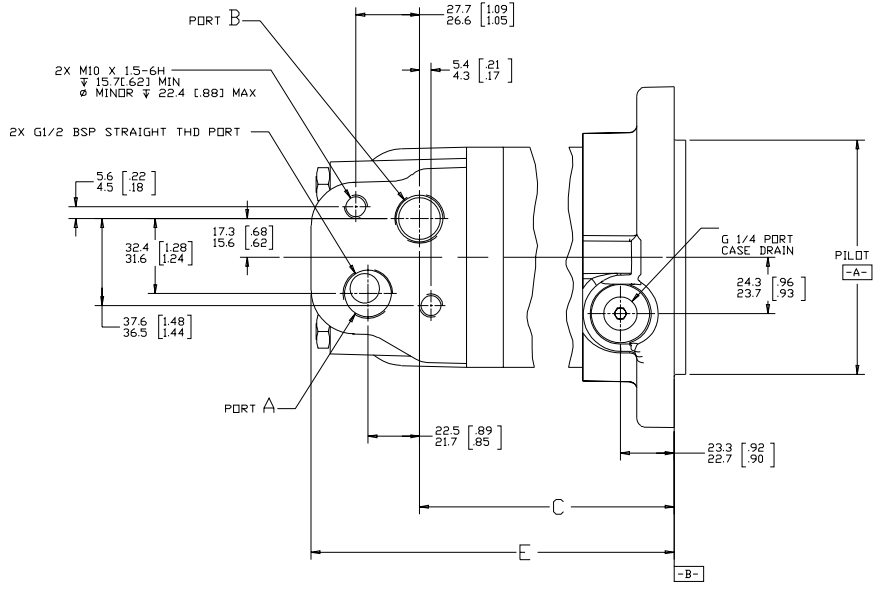
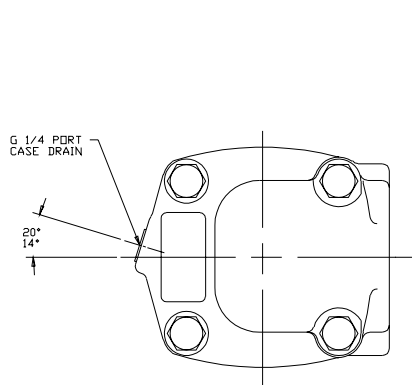


MOUNTING TYPE AZ		
DISP	C	E MAX
049	91.4-93.7 [3.60-3.69]	140.2 [5.52]
055	93.7-96.0 [3.69-3.78]	142.5 [5.61]
062	96.0-98.3 [3.78-3.87]	144.8 [5.70]
080	102.4-104.9 [4.03-4.13]	151.4 [5.96]
096	102.4-104.9 [4.03-4.13]	151.4 [5.96]
119	109.2-111.5 [4.30-4.39]	158.0 [6.22]
149	118.1-120.6 [4.65-4.75]	167.1 [6.58]
187	129.5-131.8 [5.10-5.19]	178.3 [7.02]
240	145.5-147.8 [5.73-5.82]	194.3 [7.65]
298	162.8-165.4 [6.41-6.51]	211.8 [8.34]

REV	DESCRIPTION	BY	CHK	DATE	ECN
A	ENGINEERING RELEASE	AGJ		2-1-00	M22846
B	-1>REVISED MOUNTING TAB CODES -2>NOTE 1 WAS PORT OPTION: 7 -2>ADDED NOTE 2	AGJ		5-13-02	41044
C	REVISED TABULATION BLOCKS	AGJ		5-17-04	47918
D	REVISED DISPLACEMENT FOR TABULATION BLOCKS	RG		6-26-06	56090
E	(3B) WAS "D" (5C) WAS 3X M10 X 1.5-6H ∇ 15.7(.62) MIN	SSD		11-12-07	0011030
F	REVISED	PRK	SDM	9-21-09	M76968
G	(6D) ADDED CODE 55 IN TABULATION BLOCK	YUP	AAB	5-22-14	M92884



NOTE
1 PORT OPTION: AS
2 CASE FLOW OPTION: 10

REVIEWED FOR CLASSIFICATION PER ESP-042

DRAWING BASED ON ANSI Y14.5M-1982

UNLESS OTHERWISE SPECIFIED, DIMENSIONS ARE IN INCHES

ALL DIMENSIONS ARE TO BE HIDDEN UNLESS OTHERWISE SPECIFIED

TOLERANCES

xx + REF

xxx + DNL

UNSPECIFIED RADIUS ARE

UNSPECIFIED DRAFT ANGLES ARE

DRAWING FORMAT: CAD OR MANUAL

THE REPRODUCTION, DISTRIBUTION AND UTILIZATION OF THIS DOCUMENT AS WELL AS THE COMMUNICATION OF ITS CONTENTS TO OTHERS WITHOUT EXPRESS AUTHORIZATION IS PROHIBITED. OFFENSES WILL BE HELD LIABLE FOR THE PAYMENT OF DAMAGES. ALL RIGHTS RESERVED IN THE EVENT OF A PATENT, UTILITY MODEL, OR DESIGN (PRIOR RIGHTS)

DATE: 07/24/02 AGJ 2-18-00

DATE: 05/13/02 TRF 2-22-00

DATE: 05/13/02 TRF 2-22-00

TITLE: 2000 SERIES MOTOR PORT INSTALLATION

NUMBER: A-673-024

SCALE: 1/1

SHEET 1 OF 1

DAVIDSON