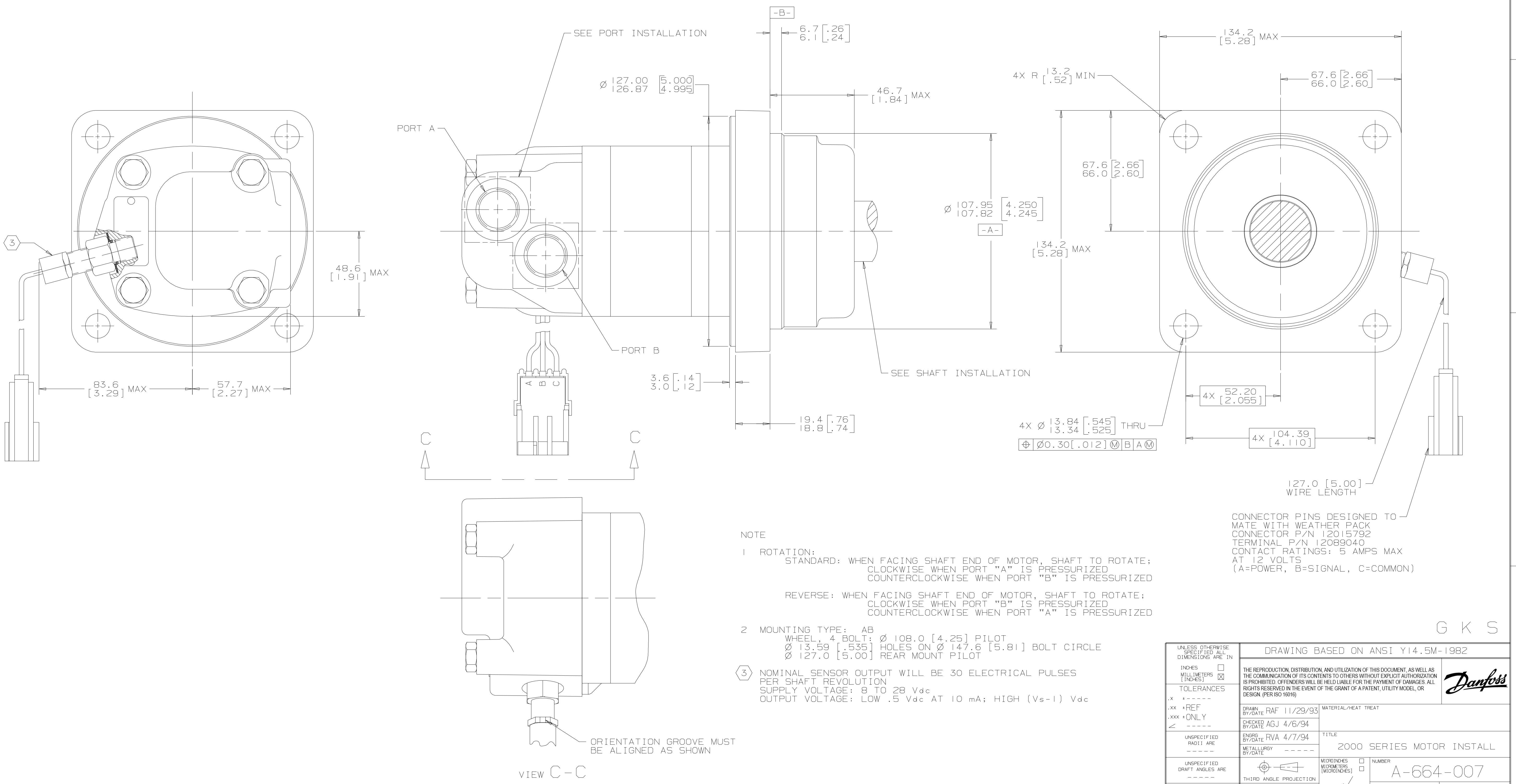


SYM	REVISION	BY	DATE	ECN
A	ENGINEERING RELEASE	RAF	11/23/93	M9107
B	REVISED	RAF	5/4/94	25503
C	REVISED SPEED SENSOR	SDR	8/20/96	28523
D	-1) (4C) ADDED Ø93.0/91.4 [3.66/3.60] -2) (4C) ADDED 21.6 [.85] MAX -3) REVISED PICTORIALY	JMS	7-29-99	33164
E	(6A) ADDED VIEW C-C	AGJ	10-7-99	33309
F	-1) (4C) REMOVED Ø93.0/91.4 [3.66/3.60] -2) REVISED PICTORIALY -3) (4C) ADDED Ø96.0/94.5 [3.78/3.72]	MLL	11-20-00	36676
G	(4A) NOTE 2 WAS MOUNTING TYPE: B	AGJ	5-13-02	41044
H	-1) (4C) REMOVED 96.0/94.5 [3.78/3.72] -2) (4C) REMOVED 21.6 [.85] MAX	AAK	3-2-04	46977



UNLESS OTHERWISE SPECIFIED ALL DIMENSIONS ARE IN		DRAWING BASED ON ANSI Y14.5M-1982	
INCHES <input type="checkbox"/>	MILLIMETERS <input checked="" type="checkbox"/>	THE REPRODUCTION, DISTRIBUTION, AND UTILIZATION OF THIS DOCUMENT, AS WELL AS THE COMMUNICATION OF ITS CONTENTS TO OTHERS WITHOUT EXPLICIT AUTHORIZATION IS PROHIBITED. OFFENDERS WILL BE HELD LIABLE FOR THE PAYMENT OF DAMAGES. ALL RIGHTS RESERVED IN THE EVENT OF THE GRANT OF A PATENT, UTILITY MODEL, OR DESIGN. (PER ISO 16016)	
TOLERANCES			
.xx +REF	DRAIN BY/DATE RAF 11/29/93	MATERIAL/HEAT TREAT	
.xxx +ONLY	CHECKED AGJ 4/6/94		
UNSPECIFIED RADI ARE	ENGRD BY/DATE RVA 4/7/94	TITLE	
UNSPECIFIED DRAFT ANGLES ARE	METALLURGY BY/DATE	2000 SERIES MOTOR INSTALL	
	THIRD ANGLE PROJECTION	SCALE 1/1	SHEET 1 OF 1