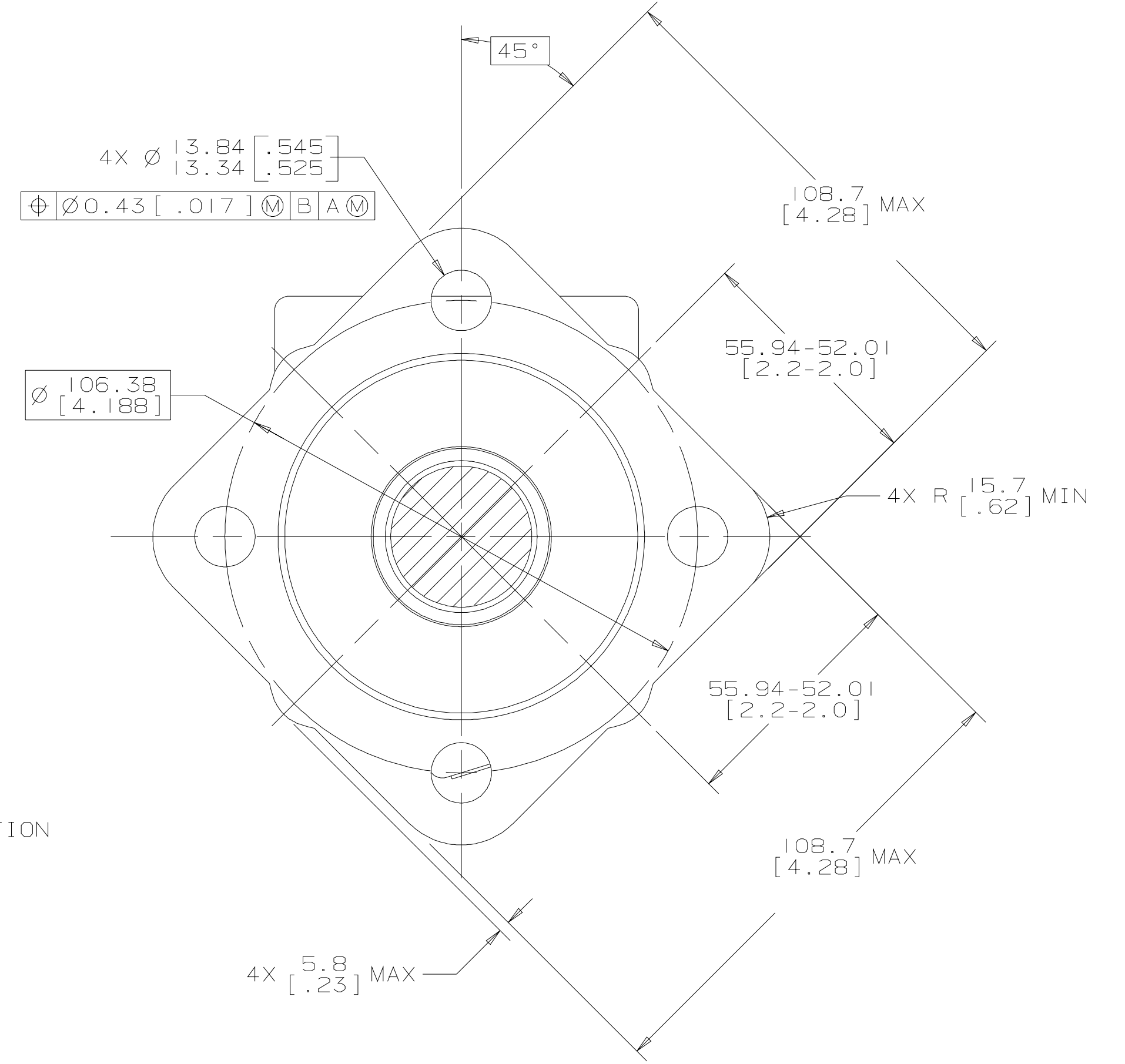
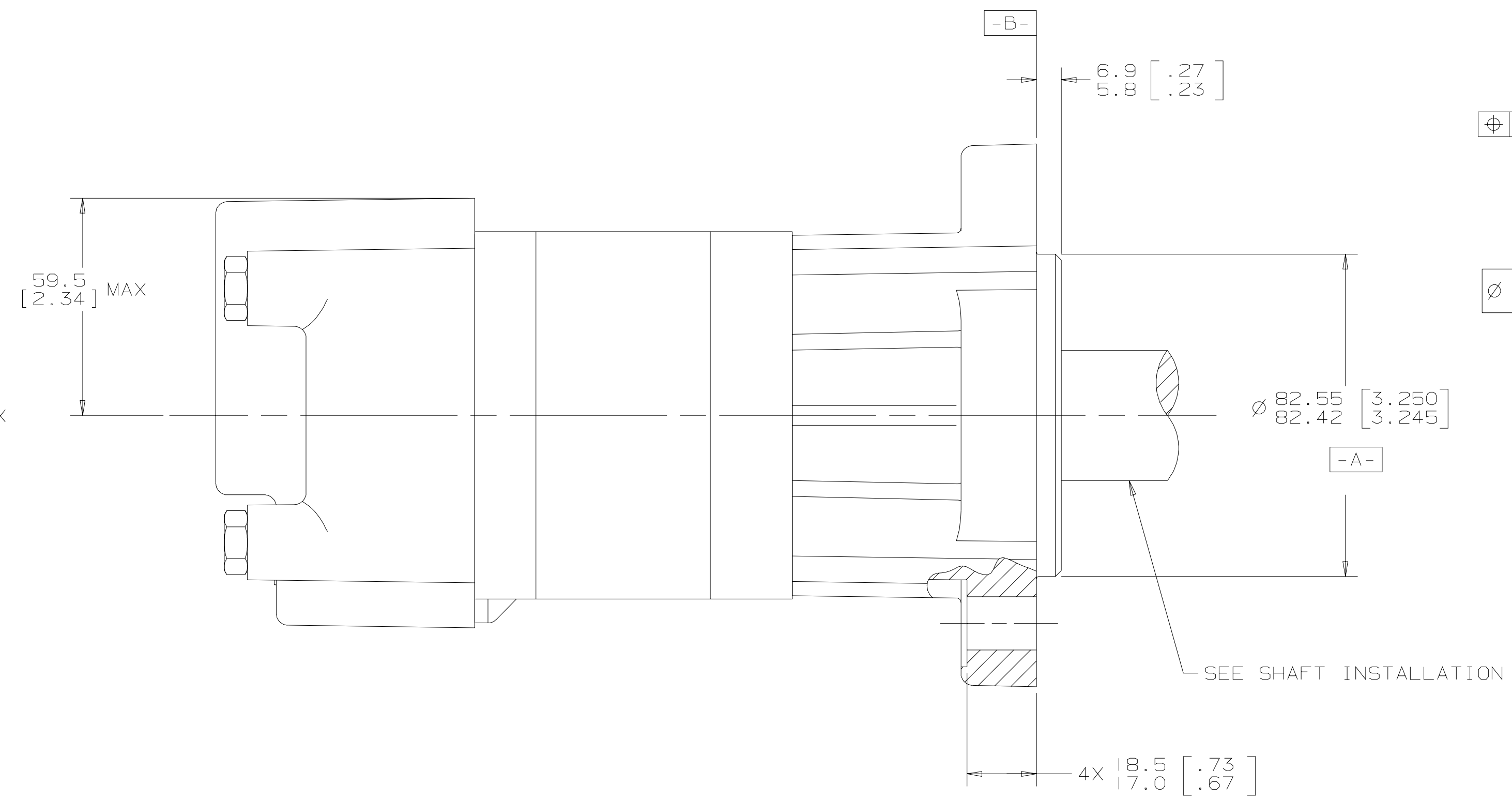
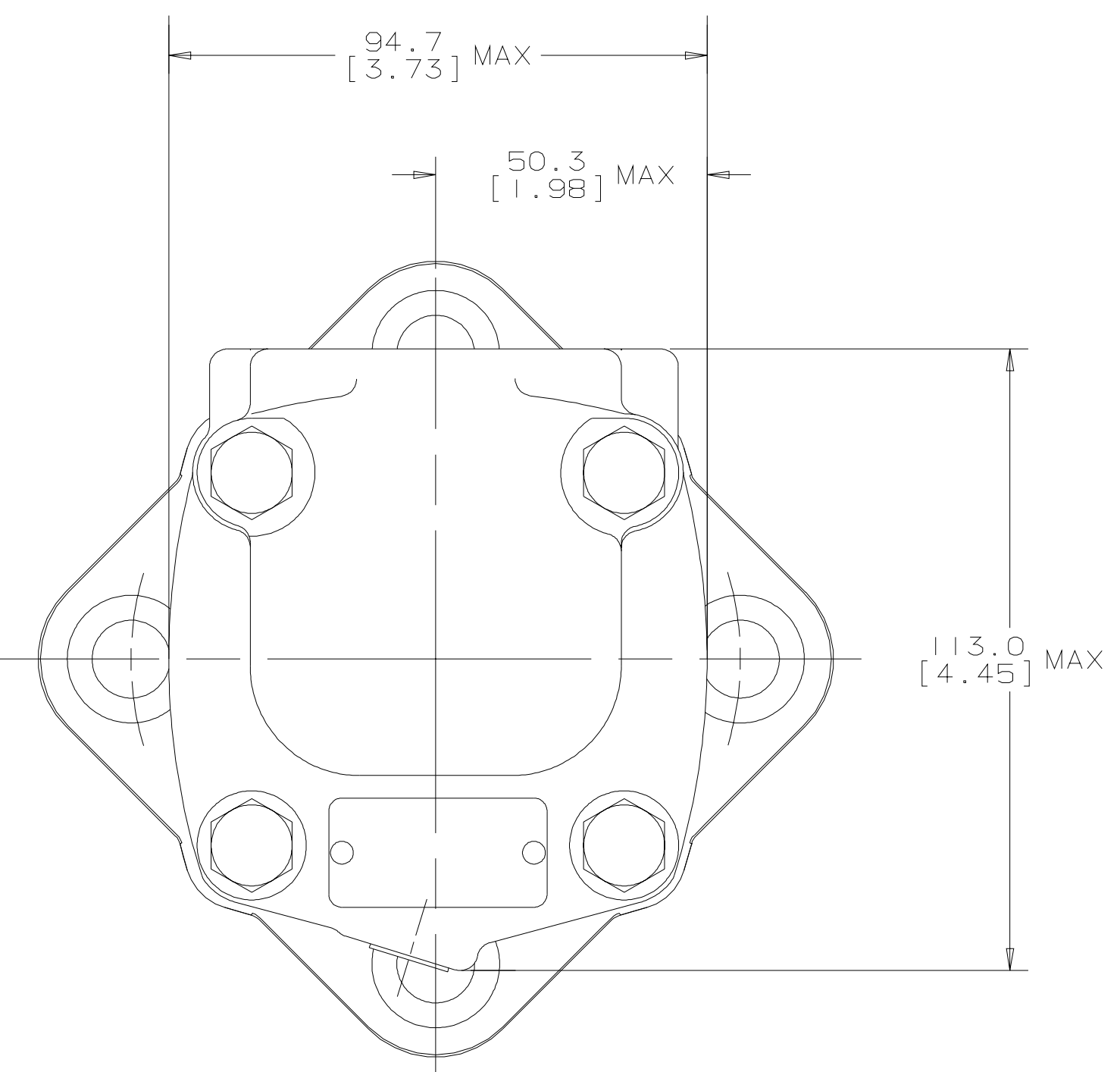
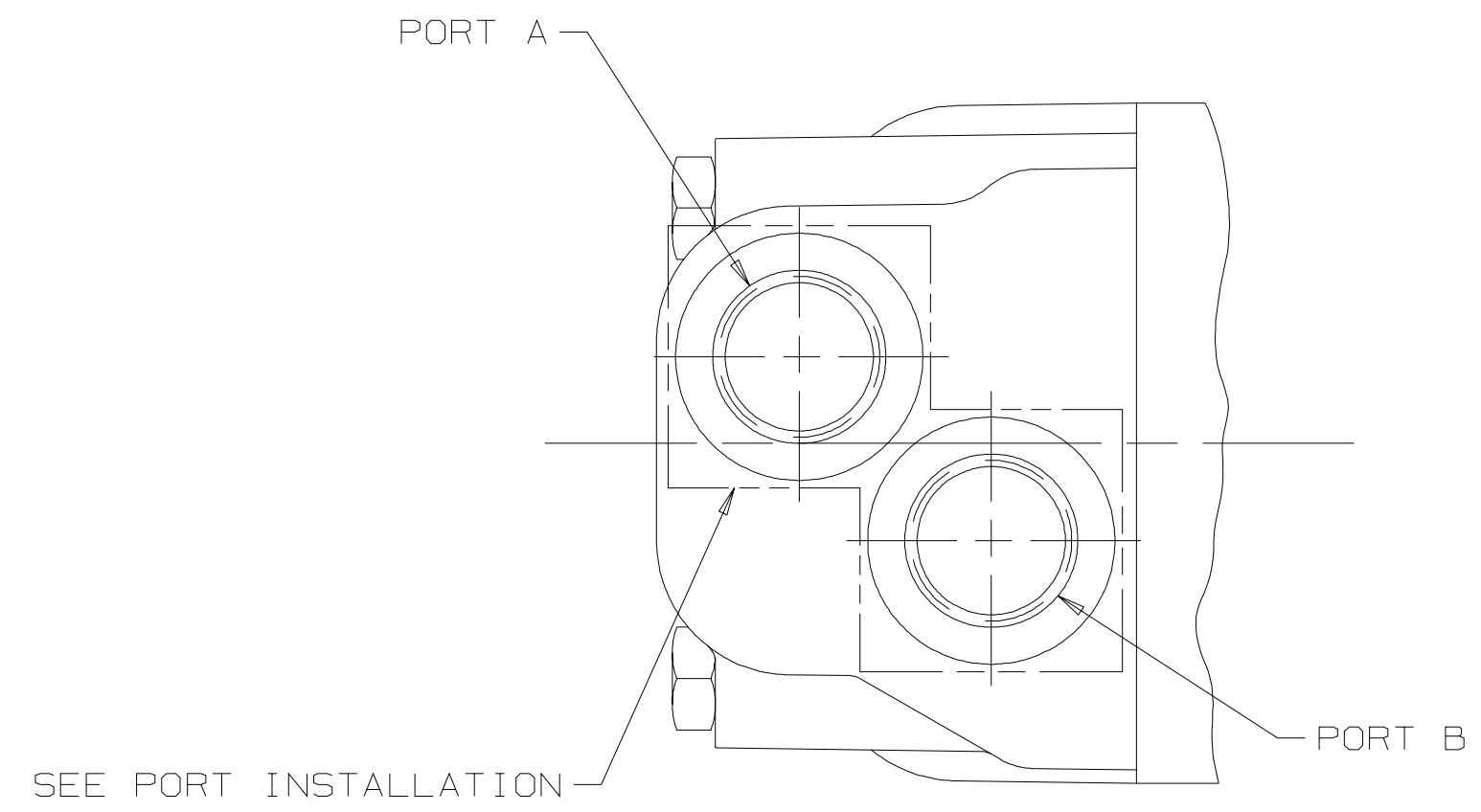


SYM	REVISION	BY	DATE	ECN
A	ENGINEERING RELEASE	RAF	4/14/93	23947
C	REVISED	MJZ	6-12-96	27921
D	(4A)NOTE 2 WAS MOUNTING TYPE: H	AGJ	5/13/02	41044
E	(3C)4X Ø 13.84/13.34 [.545/.525] WAS 4X Ø 13.72/13.46 [.540/.530]	AGJ	9-30-03	45504
F	REVISED	PRK	8/5/09	18334



NOTE

1 ROTATION:
 STANDARD: WHEN FACING SHAFT END OF MOTOR, SHAFT TO ROTATE;
 CLOCKWISE WHEN PORT "A" IS PRESSURIZED
 COUNTERCLOCKWISE WHEN PORT "B" IS PRESSURIZED

REVERSE: WHEN FACING SHAFT END OF MOTOR, SHAFT TO ROTATE;
 CLOCKWISE WHEN PORT "B" IS PRESSURIZED
 COUNTERCLOCKWISE WHEN PORT "A" IS PRESSURIZED

2 MOUNTING TYPE: AH
 STANDARD: 4 BOLT: Ø 82.6 [3.25] PILOT
 Ø 13.59 [.535] HOLES ON Ø 106.4 [4.19] BOLT CIRCLE

UNLESS OTHERWISE SPECIFIED ALL DIMENSIONS ARE IN		DRAWING BASED ON ANSI Y14.5M-1982	
INCHES <input type="checkbox"/>	MILLIMETERS <input checked="" type="checkbox"/>	THE REPRODUCTION, DISTRIBUTION, AND UTILIZATION OF THIS DOCUMENT, AS WELL AS THE COMMUNICATION OF ITS CONTENTS TO OTHERS WITHOUT EXPLICIT AUTHORIZATION IS PROHIBITED. OFFENDERS WILL BE HELD LIABLE FOR THE PAYMENT OF DAMAGES. ALL RIGHTS RESERVED IN THE EVENT OF THE GRANT OF A PATENT, UTILITY MODEL, OR DESIGN. (PER ISO 16016)	
TOLERANCES			
.XX ±REF	DRN: RAF	MATERIAL/HEAT TREAT	
.XXX ±ONLY	BY/DATE: 4/15/93		
<	CHEK: K. RANDOLPH		
	BY/DATE: 4-22-93		
UNSPECIFIED RADI ARE	ENGR: M. BERNSTROM	TITLE	
	BY/DATE: 4-22-93	2000 SERIES MOTOR INSTALL	
UNSPECIFIED DRAFT ANGLES ARE	METALLURGY	NUMBER	
	BY/DATE	A-669-001	
DRAWING FORMAT	THIRD ANGLE PROJECTION	SCALE 1/1	
CADD <input checked="" type="checkbox"/> MANUAL <input type="checkbox"/>	DO NOT SCALE	SHEET 1 OF 1	
	ARITHMETICAL AVERAGE		

G S K