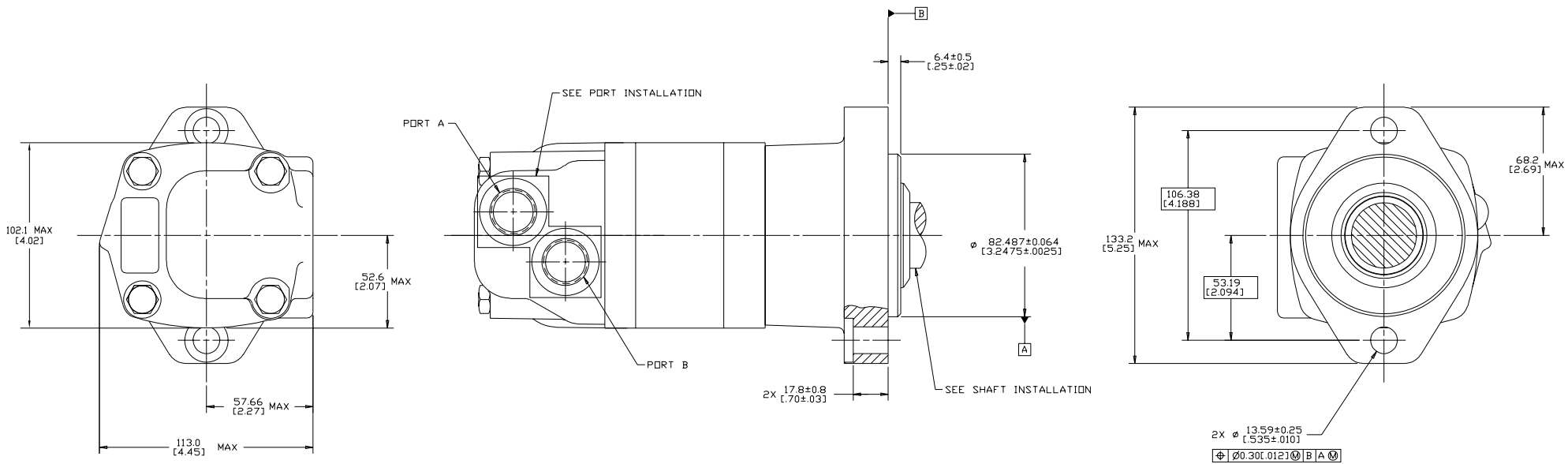


REV	DESCRIPTION	BY	CHK	DATE	ECN
A	ENGINEERING RELEASE	RAF		5-12-97	M17514
B	(S)NOTE 2 WAS MOUNTING TYPE: C	AGJ		5-13-02	41044
C	REVISED	VBH		5-28-09	M76048
D	-1)REVISED AS PER STACK-UP -2)DRAWING UPDATED AS PER ASME Y14.5-2009 STANDARD	SB		03-03-16	M99874



NOTE

1 ROTATION:
 STANDARD: WHEN FACING SHAFT END OF MOTOR, SHAFT TO ROTATE;
 CLOCKWISE WHEN PORT "A" IS PRESSURIZED
 COUNTERCLOCKWISE WHEN PORT "B" IS PRESSURIZED
 REVERSE: WHEN FACING SHAFT END OF MOTOR, SHAFT TO ROTATE;
 CLOCKWISE WHEN PORT "B" IS PRESSURIZED
 COUNTERCLOCKWISE WHEN PORT "A" IS PRESSURIZED

2 MOUNTING TYPE: AC
 STANDARD, 2 BOLT: $\phi 82.6$ [3.25] PILOT
 $\phi 13.59$ [0.535] HOLES ON $\phi 106.4$ [4.19]
 BOLT CIRCLE *SAE A*

REVIEWED FOR CLASSIFICATION PER ESP-042

UNLESS OTHERWISE SPECIFIED ALL DIMENSIONS ARE IN INCHES <input type="checkbox"/> MILLIMETERS <input checked="" type="checkbox"/>		DRAWING BASED ON ANSI Y14.5-2009	
TOLERANCES		THE REPRODUCTION, DISTRIBUTION AND UTILIZATION OF THIS DOCUMENT, AS WELL AS THE COMMUNICATION OF ITS CONTENTS TO OTHERS WITHOUT EXPLICIT AUTHORIZATION IS PROHIBITED. OFFENDERS WILL BE HELD LIABLE FOR THE PAYMENT OF DAMAGES. ALL RIGHTS RESERVED IN THE EVENT OF THE GRANT OF A PATENT, UTILITY MODEL, OR DESIGN (PERIOD: 10/10)	
X ± ---	XX ± REF	XXX ± ONLY	UNSPECIFIED RADII ARE: -----
UNSPECIFIED DRAFT ANGLES ARE: -----*	THIRD ANGLE PROJECTION	DO NOT SCALE	NUMERICAL AVERAGE
DRAWN: RAF BY/DATE: 5-14-97		MATERIAL/HEAT TREAT: ---	
CHECKED: AGJ BY/DATE: 5-19-97		TITLE: 2000 SERIES MOTOR INSTALLATION	
ENGR: VJD BY/DATE: 5-23-97		NUMBER: A-665-024	
UNSPECIFIED DRAFT ANGLES ARE: -----*		SCALE: 1/1	
THIRD ANGLE PROJECTION		SHEET 1 OF 1	

Danfoss