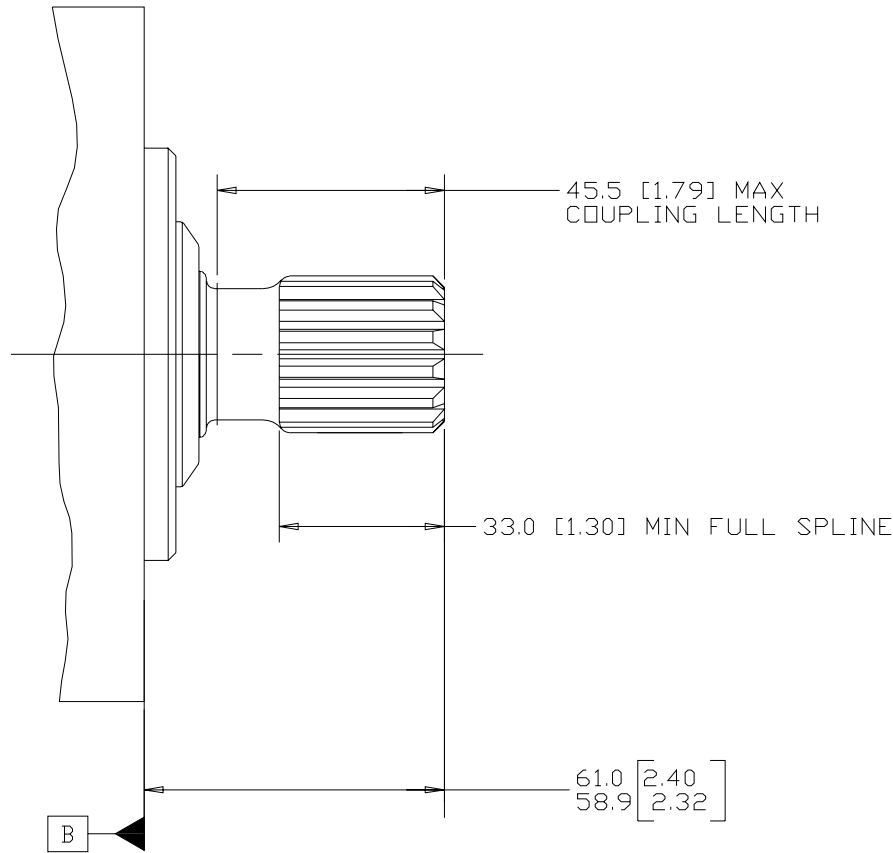
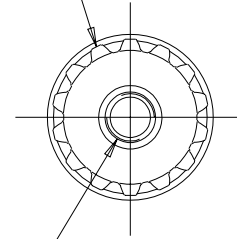



REV	DESCRIPTION	BY	DATE	ECN
A	ENGINEERING RELEASE	CAR	8-15-00 AGJ	M24069
B	NOTE 1 WAS MOUNTING TYPE: OPTION H OR W	AGJ	5-13-02	41044
C	61.0/58.9 [2.40/2.32] WAS 61.2/58.9 [2.41/2.32]	AGJ	5-17-04	47918
D	NOTE 2 WAS OUTPUT SHAFT: OPTION 04 & 28	PM	4-4-06	54522
E	-1) REMOVED DIMENSION 61.2/58.9 [2.41/2.32] -2) UPDATED DRAWING TO ASME Y14.5M-1994 STANDARD	YUP	11-28-11	M84001



Ø 31.75 [1.250] FLAT ROOT SIDE FIT
14 TOOTH 12/24 SPLINE TO FIT
ANSI B92.1 1976



CS REVIEWED FOR CLASSIFICATION PER ESP-042

UNLESS OTHERWISE SPECIFIED ALL DIMENSIONS ARE IN INCHES <input type="checkbox"/> MILLIMETERS <input checked="" type="checkbox"/>		DRAWING BASED ON ASME Y14.5M-1994	
TOLERANCES x ± ---- xx ± REF xxx ± ONLY ∠ ± ----		THE REPRODUCTION, DISTRIBUTION, AND UTILIZATION OF THIS DOCUMENT, AS WELL AS THE COMMUNICATION OF ITS CONTENTS TO OTHERS WITHOUT EXPLICIT AUTHORIZATION IS PROHIBITED. OFFENDERS WILL BE HELD LIABLE FOR THE PAYMENT OF DAMAGES. ALL RIGHTS RESERVED IN THE EVENT OF THE GRANT OF A PATENT, UTILITY MODEL, OR DESIGN. (PER ISO 16016)	
UNSPECIFIED RADII ARE ----		DRAWN BY/DATE CAR 8-15-00	MATERIAL/HEAT TREAT
UNSPECIFIED DRAFT ANGLES ARE ----		CHECKED BY/DATE AGJ 8-17-00	
B SIZE		ENGRG BY/DATE TRF 8-21-00	
THIRD ANGLE PROJECTION		METALLURGY BY/DATE ----	NUMBER A-687-035
DO NOT SCALE		ARITHMETICAL AVERAGE <input checked="" type="checkbox"/>	SCALE 1/1 SHEET 1 OF 1

NOTE

- 1 MOUNTING TYPE: OPTION AH OR AW
- 2 OUTPUT SHAFT: OPTION 04 & 21