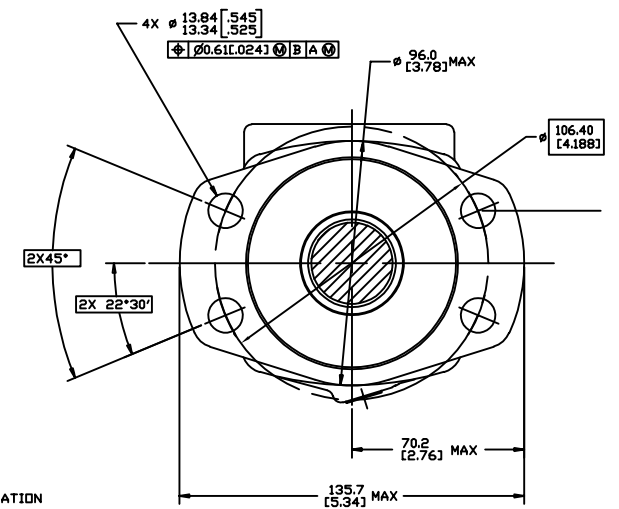
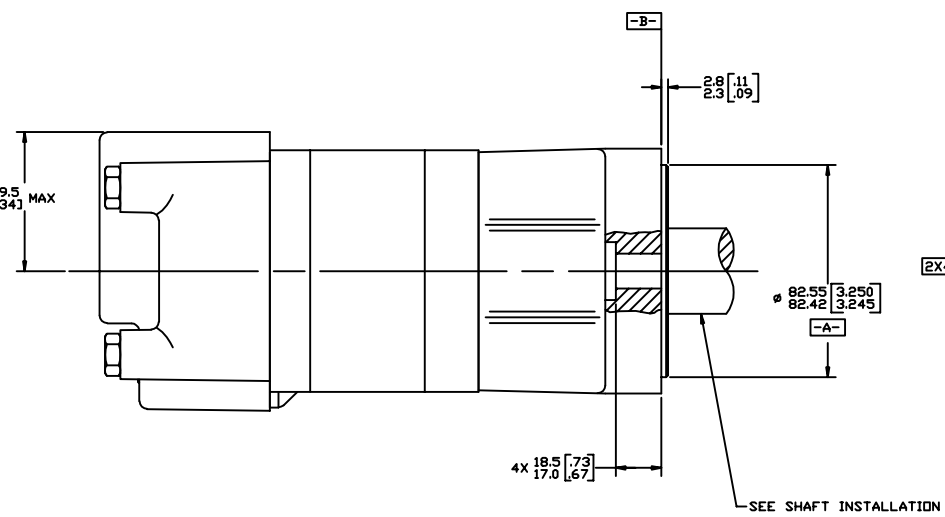
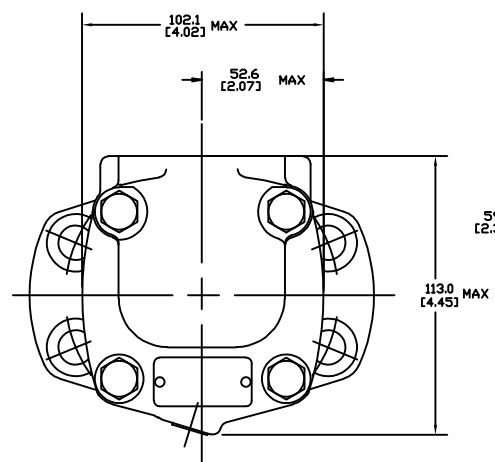
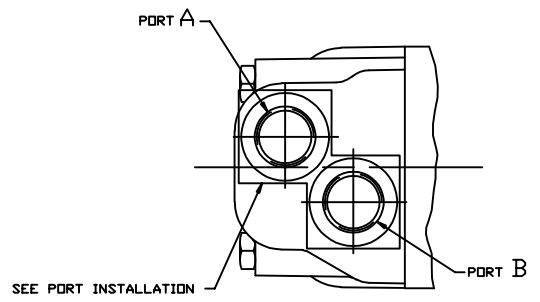


SYM	REVISION		BY	DATE	ECN
A	ENGINEERING RELEASE		RAF	5/11/93	M10742
B	REVISED		AGJ	5-28-93	22833
C	(4A)NOTE 2 WAS MOUNTING TYPE J		AGJ	5/13/98	41044
D	REVISED		AAB	7-06-10	M79504



NOTE

1 ROTATION:
 STANDARD: WHEN FACING SHAFT END OF MOTOR, SHAFT TO ROTATE) CLOCKWISE WHEN PORT "A" IS PRESSURIZED COUNTERCLOCKWISE WHEN PORT "B" IS PRESSURIZED
 REVERSE: WHEN FACING SHAFT END OF MOTOR, SHAFT TO ROTATE) CLOCKWISE WHEN PORT "B" IS PRESSURIZED COUNTERCLOCKWISE WHEN PORT "A" IS PRESSURIZED

2 MOUNTING TYPE: A.J
 STANDARD (MAGNETO), 4 BOLT, ϕ 82.6 [3.25] PILOT ϕ 13.59 [0.535] HOLES ON ϕ 106.4 [4.19] BOLT CIRCLE 2.79 [0.110] PILOT LENGTH

REVIEWED FOR CLASSIFICATION PER ESP-042

DRAWING BASED ON ANSI Y14.5M-1982

UNLESS OTHERWISE SPECIFIED, ALL DIMENSIONS ARE IN MILLIMETERS	DATE: 5/11/93	TITLE: 2000 SERIES MOTOR INSTALL
UNLESS OTHERWISE SPECIFIED, ALL DIMENSIONS ARE IN INCHES	CHECKED BY: RANDOLPH	NUMBER: A-671-001
TOLERANCES	DATE: 5-13-93	SCALE: 1/1
XX ± REF	DATE: 5/13/93	SHEET 1 OF 1
XXX ± ONLY	DATE: 5-13-93	
UNSPECIFIED MADE ARE	DATE: 5-13-93	
UNSPECIFIED SHAF HOLES ARE	DATE: 5-13-93	
THIRD ANGLE PROJECTION	DATE: 5-13-93	
DO NOT SCALE	DATE: 5-13-93	