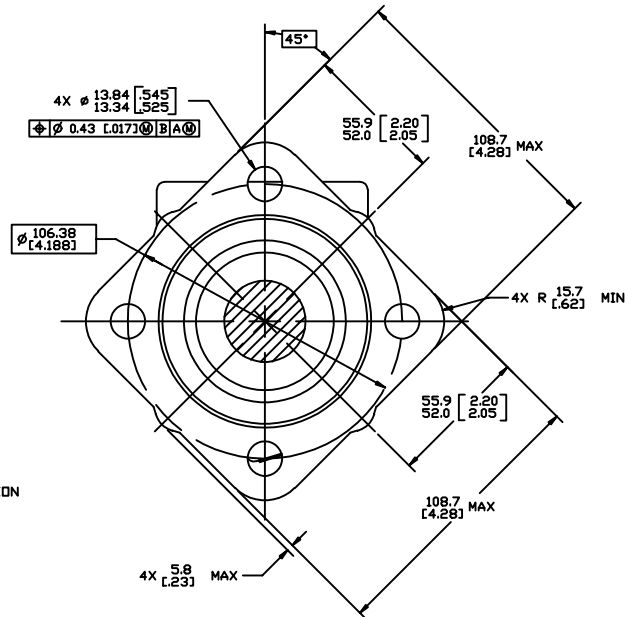
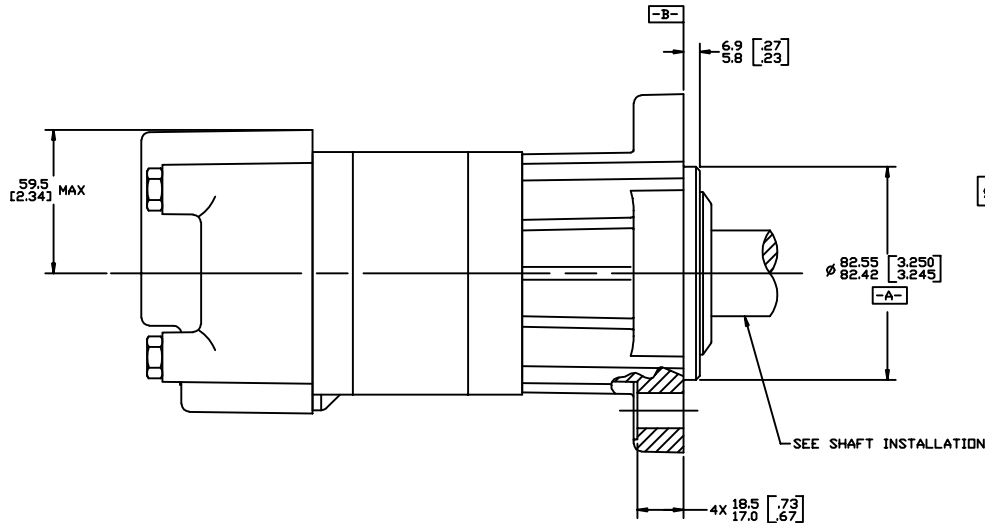
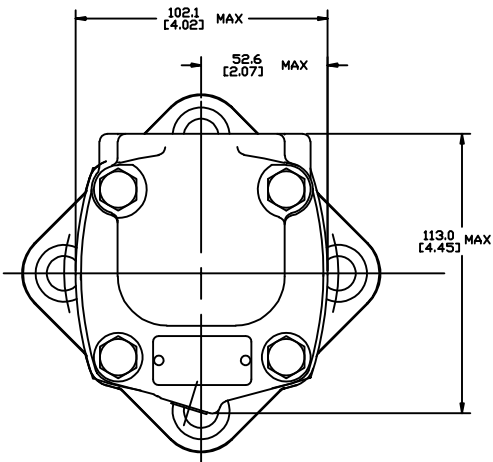
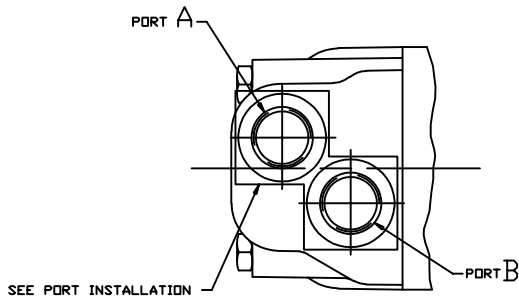


REV	DESCRIPTION	BY	CHK	DATE	ECN
A	ENGINEERING RELEASE	JMM	RAF	1-4-95	M12827
E	REVISED	CSG	SSD	03/19/00	M78673



NOTE

- 1 ROTATION:
 STANDARD: WHEN FACING SHAFT END OF MOTOR, SHAFT TO ROTATE;
 CLOCKWISE WHEN PORT "A" IS PRESSURIZED;
 COUNTERCLOCKWISE WHEN PORT "B" IS PRESSURIZED.
 REVERSE: WHEN FACING SHAFT END OF MOTOR, SHAFT TO ROTATE;
 CLOCKWISE WHEN PORT "B" IS PRESSURIZED;
 COUNTERCLOCKWISE WHEN PORT "A" IS PRESSURIZED.
- 2 MOUNTING TYPE: AH
 STANDARD, 4 BOLT: ϕ 82.6 [3.25] PILOT
 ϕ 13.59 [0.535] HOLES ON ϕ 106.4 [4.19] BOLT CIRCLE

REVIEWED FOR CLASSIFICATION PER ESP-042

UNLESS OTHERWISE SPECIFIED, ALL DIMENSIONS ARE IN INCHES		DRAWING BASED ON ANSI Y14.5M-1982	
TOLERANCES		EATON CORPORATION - CONFIDENTIAL AND PROPRIETARY NOTICE TO PERSONS RECEIVING THIS DRAWING AND / OR TECHNICAL INFORMATION	
XX ± REF	± 0.0005	DATE: JMM 1-4-95	MATERIAL HEAT TREAT
XXX ± DNLY	± 0.001	DATE: JMM 3-27-95	
UNSPECIFIED HOLE ARE	± 0.001	DATE: JMM 3-29-95	TITLE
UNSPECIFIED SHAFT HOLES ARE	± 0.001		2000 SERIES MOTOR INSTALL
UNSPECIFIED THIRD ANGLE PROJECTION	THIRD ANGLE PROJECTION		NUMBER
DRAWING FORMAT (SEE DRAWING)	DO NOT SCALE		A-669-010
			SCALE 1/1 SHEET 1 OF 1