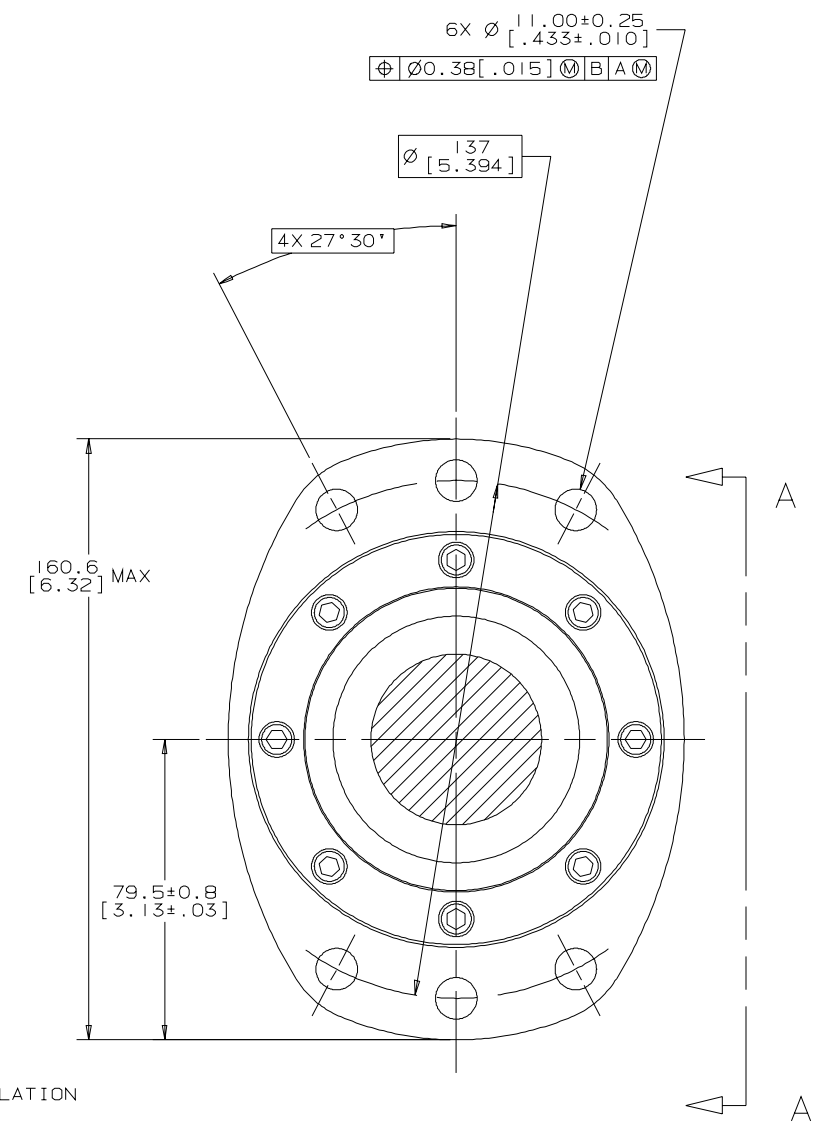
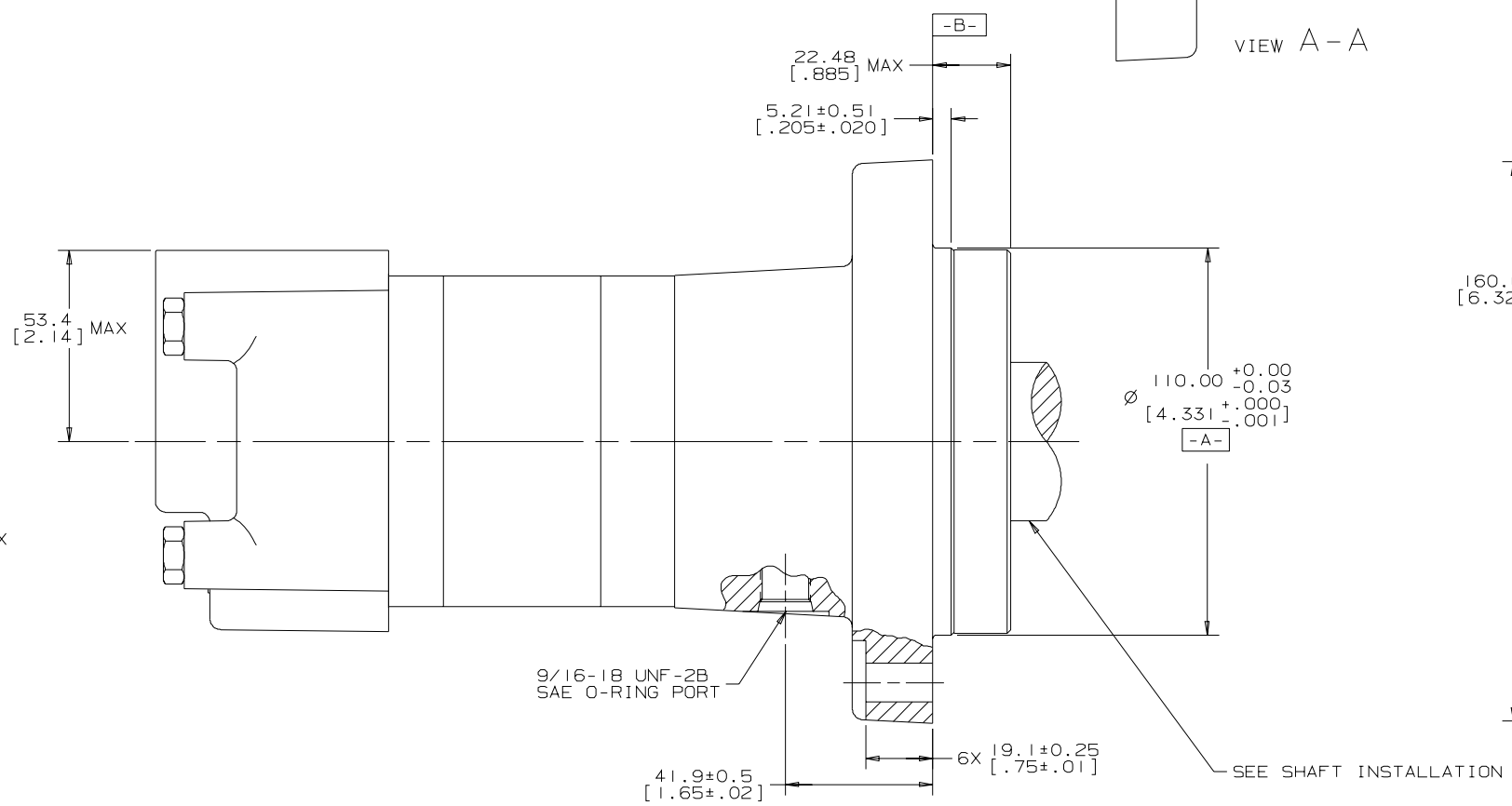
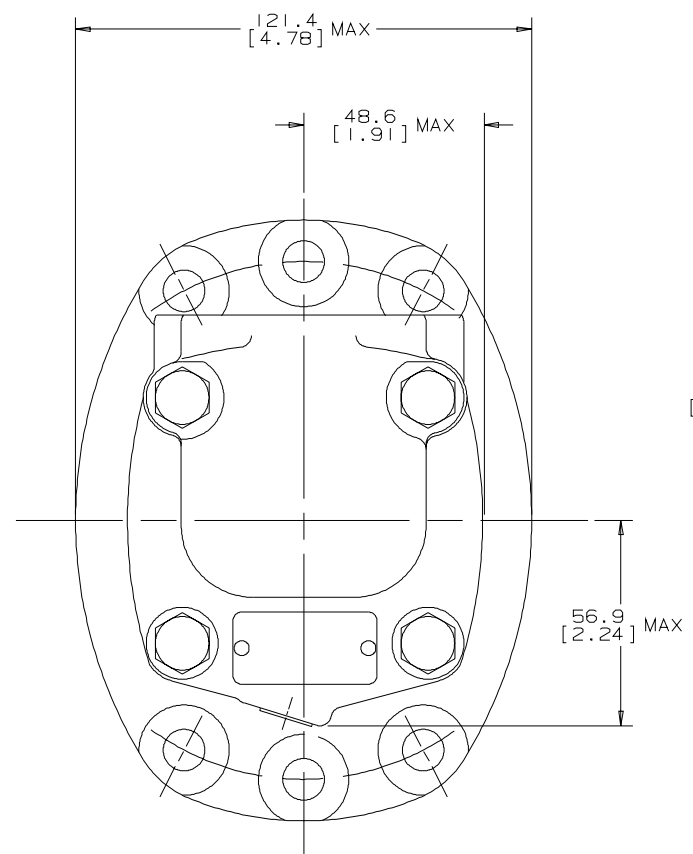
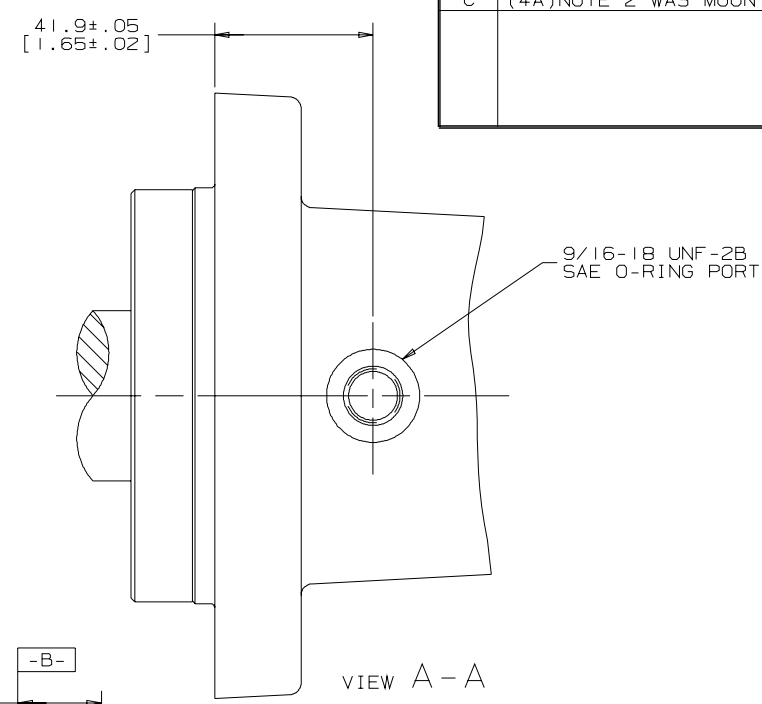
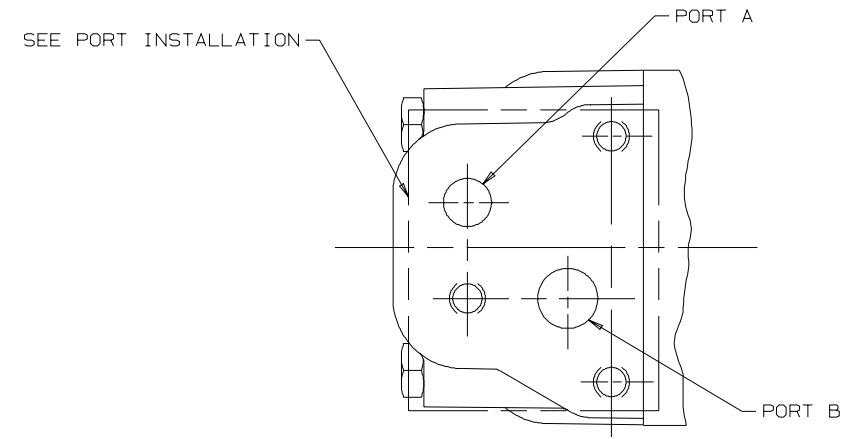


REV	DESCRIPTION	BY	CHK	DATE	ECN
A	ENGINEERING RELEASE	RAF		9-4-96	28559
B	(4B) ADDED 9/16 PORT AND RELATED DIMS	RAF		2-1-00	M22768A
C	(4A) NOTE 2 WAS MOUNTING TYPE: A	AGJ		5-13-02	41044



NOTE

1 ROTATION:  
 STANDARD: WHEN FACING SHAFT END OF MOTOR, SHAFT TO ROTATE;  
 CLOCKWISE WHEN PORT "A" IS PRESSURIZED  
 COUNTERCLOCKWISE WHEN PORT "B" IS PRESSURIZED

REVERSE: WHEN FACING SHAFT END OF MOTOR, SHAFT TO ROTATE;  
 CLOCKWISE WHEN PORT "B" IS PRESSURIZED  
 COUNTERCLOCKWISE WHEN PORT "A" IS PRESSURIZED

2 MOUNTING TYPE: AA  
 PINION, 6 BOLT: Ø110.0 [4.33] PILOT  
 Ø 11.0 [.43] HOLES ON Ø 137.0 [5.39] BOLT CIRCLE  
 5.2 [.21] PILOT LENGTH

UNLESS OTHERWISE SPECIFIED ALL DIMENSIONS ARE IN		DRAWING BASED ON ANSI Y14.5M-1982	
INCHES <input type="checkbox"/>	MILLIMETERS <input checked="" type="checkbox"/>	THE REPRODUCTION, DISTRIBUTION, AND UTILIZATION OF THIS DOCUMENT, AS WELL AS THE COMBINATION OF ITS CONTENTS TO OTHERS WITHOUT EXPLICIT AUTHORIZATION IS PROHIBITED. OFFENDERS WILL BE HELD LIABLE FOR THE PAYMENT OF DAMAGES. ALL RIGHTS RESERVED IN THE EVENT OF THE GRANT OF A PATENT, UTILITY MODEL, OR DESIGN (PER ISO 1019)	
TOLERANCES		MATERIAL/HEAT TREAT	
.X	----	DRAWN BY/DATE	RAF 9-27-96
.XX	----	CHECKED BY/DATE	GCB 9-30-96
.XXX	----	ENGRG BY/DATE	MLB 9-30-96
<	----	METALLURGY BY/DATE	----
UNSPECIFIED RADII ARE	----	TITLE	
UNSPECIFIED DRAFT ANGLES ARE	----	2000 SERIES MOTOR INST	
DRAWING FORMAT CAD <input checked="" type="checkbox"/> MANUAL <input type="checkbox"/>	THIRD ANGLE PROJECTION <input checked="" type="checkbox"/>	WIDRINCHES (MICROMETERS)	NUMBER
DO NOT SCALE	ARITHMETICAL AVERAGE	250	A-663-005
		SCALE	1/1 SHEET 1 OF 1

G K S