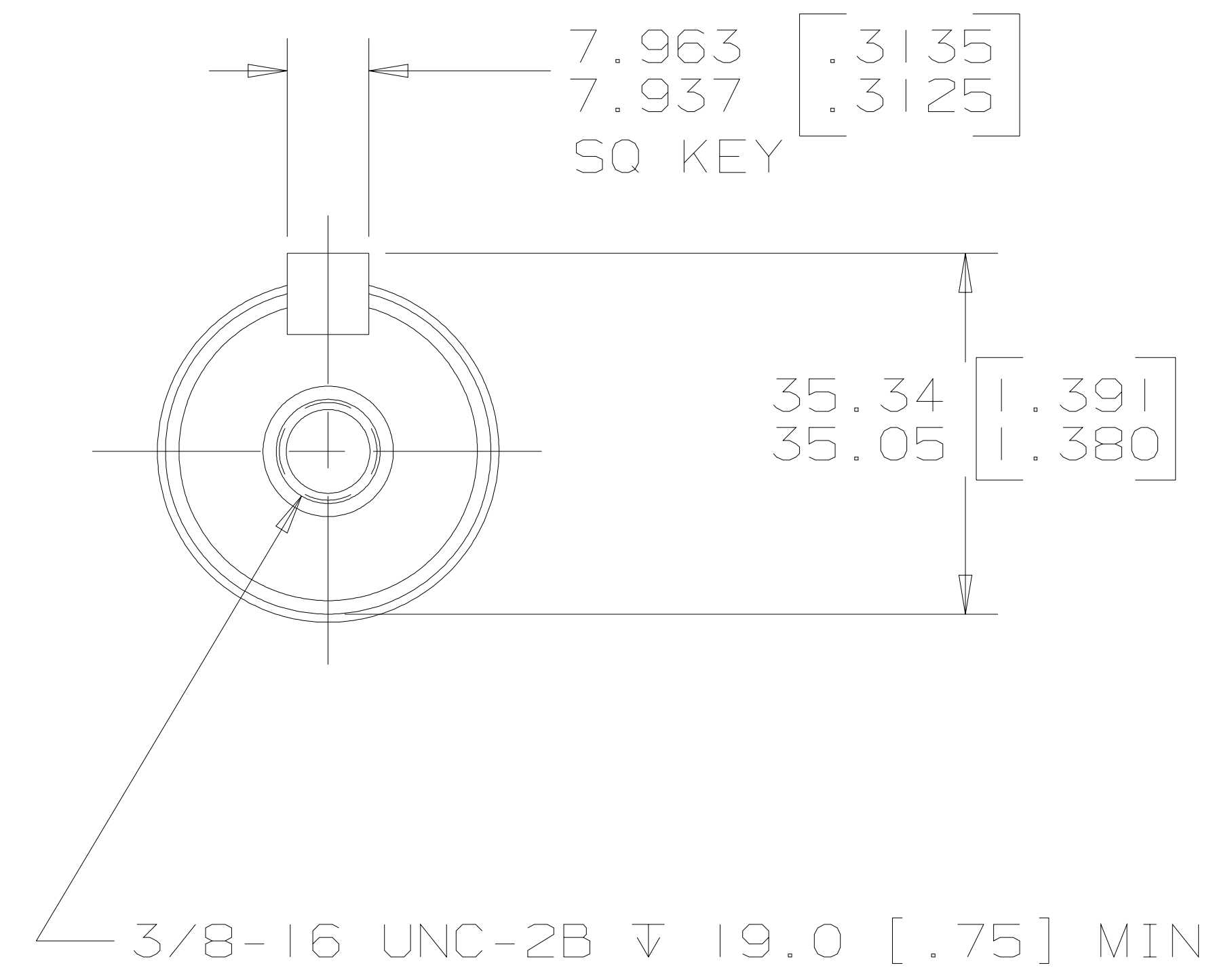
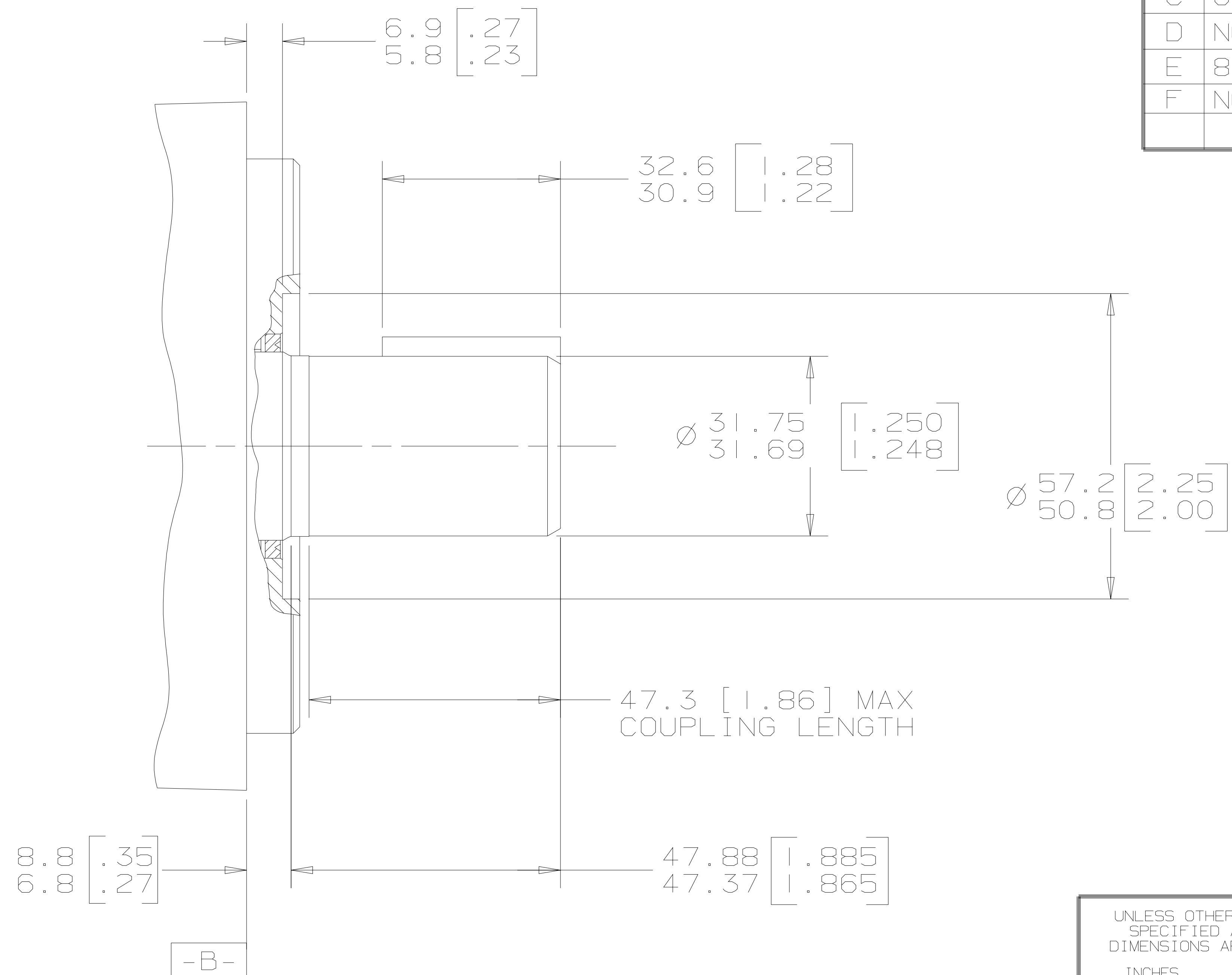


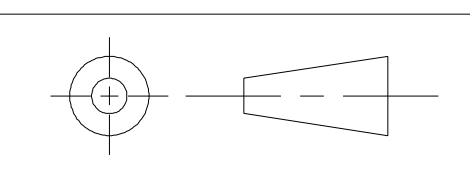
REV	DESCRIPTION	BY	DATE	ECN
A	ENGINEERING RELEASE	AGJ	5-26-93	22833
B	NOTE 1 WAS MOUNTING TYPE: OPTION F	AGJ	5-13-02	41044
C	6.9/5.8 [.27/.23] WAS 6.4/5.8 [.25/.23]	AGJ	9-30-03	45244
D	NOTE 2 WAS OUTPUT SHAFT: OPTION 02 & 24	PM	4-4-06	54522
E	8.8/6.8 [.35/.27] WAS 8.7/7.1 [.34/.28]	PRK	7-08-09	18025
F	NOTE 1 WAS "MOUNTING TYPE OPTION AF"	SSD	7-31-09	M76540



NOTE

1 MOUNTING TYPE: OPTION AF FOR 2000 SERIES MOTOR
 OPTION F FOR 2000 SERIES TWO SPEED MOTOR

2 OUTPUT SHAFT: OPTION 02 & 17

UNLESS OTHERWISE SPECIFIED ALL DIMENSIONS ARE IN INCHES <input type="checkbox"/> MILLIMETERS [INCHES] <input checked="" type="checkbox"/>	DRAWING BASED ON ANSI Y14.5M-1982	
	THE REPRODUCTION, DISTRIBUTION, AND UTILIZATION OF THIS DOCUMENT, AS WELL AS THE COMMUNICATION OF ITS CONTENTS TO OTHERS WITHOUT EXPLICIT AUTHORIZATION IS PROHIBITED. OFFENDERS WILL BE HELD LIABLE FOR THE PAYMENT OF DAMAGES. ALL RIGHTS RESERVED IN THE EVENT OF THE GRANT OF A PATENT, UTILITY MODEL, OR DESIGN. (PER ISO 16016)	
TOLERANCES .X ± ---- .XX ± REF .XXX ± ONLY < ± ----	DRAWN BY/DATE: A. JOHNSON 3-18-93 CHECKED BY/DATE: SDR 6-24-93	MATERIAL/HEAT TREAT
UNSPECIFIED RADII ARE ----	ENGRG BY/DATE: SJZ 6-28-93 METALLURGY BY/DATE: ----	TITLE: 2000 SERIES MOTOR SHAFT INSTALLATION
UNSPECIFIED DRAFT ANGLES ARE ----	 THIRD ANGLE PROJECTION	MICROINCHES <input type="checkbox"/> MICROMETERS [MICROINCHES] <input type="checkbox"/> ARITHMETICAL AVERAGE <input checked="" type="checkbox"/>
DRAWING FORMAT CADD <input checked="" type="checkbox"/> MANUAL <input type="checkbox"/>	DO NOT SCALE	NUMBER: A-685-002 SCALE: 1/1 SHEET: 1 OF 1

