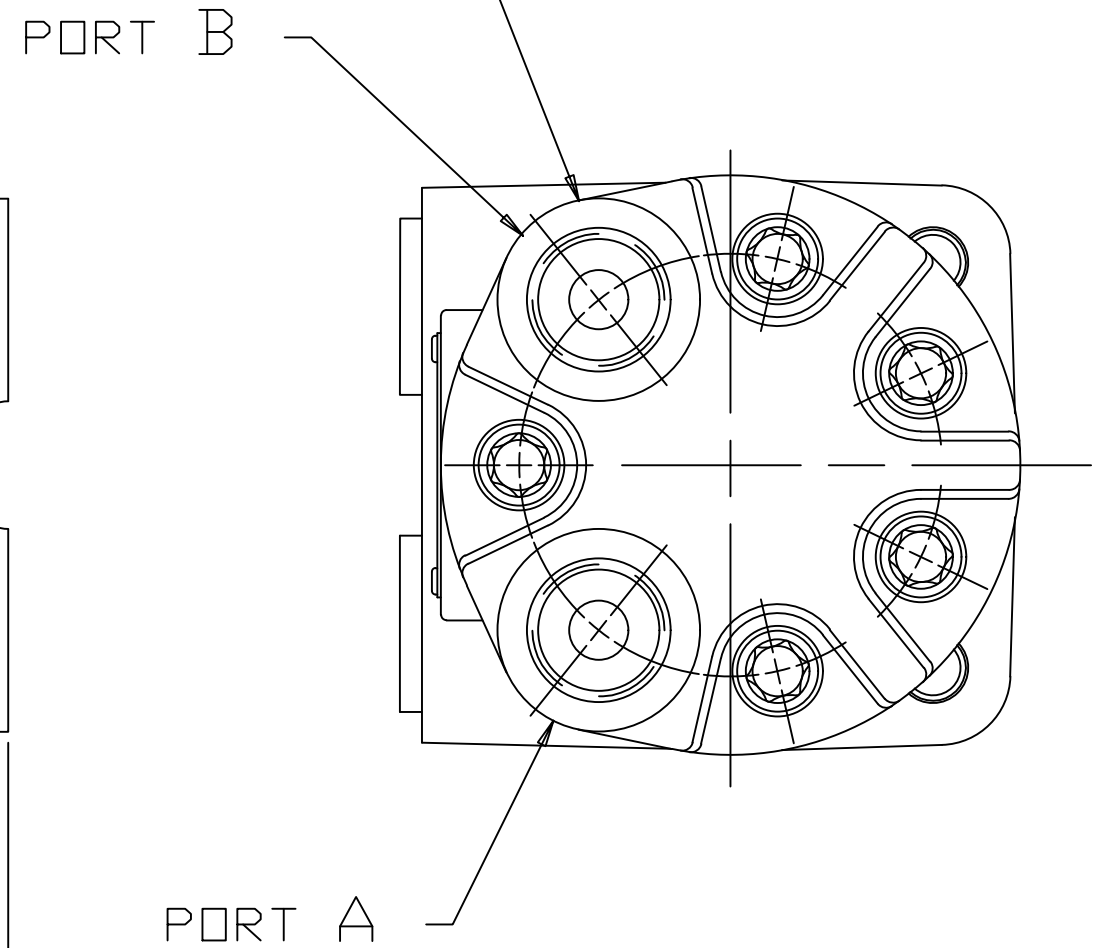
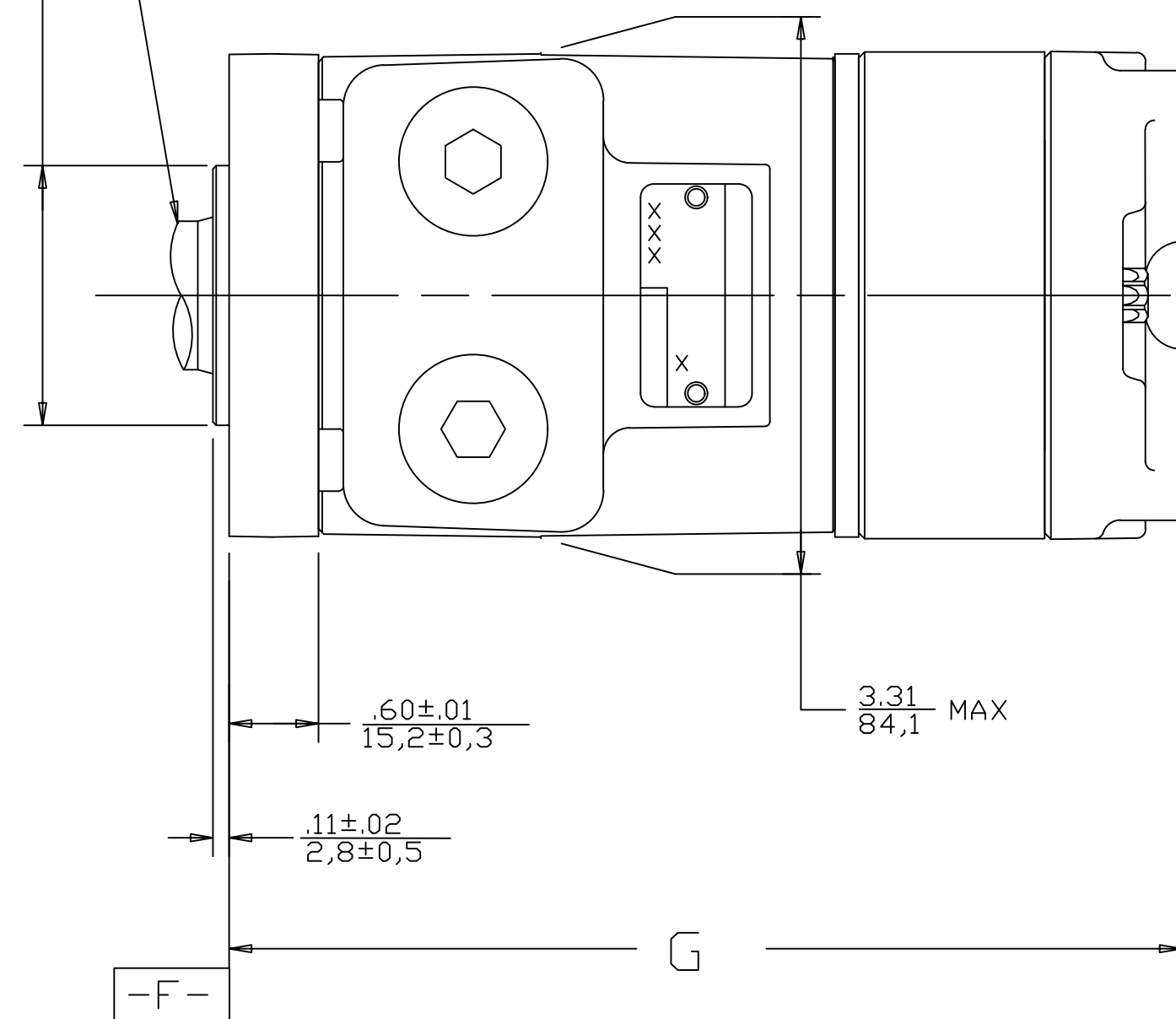
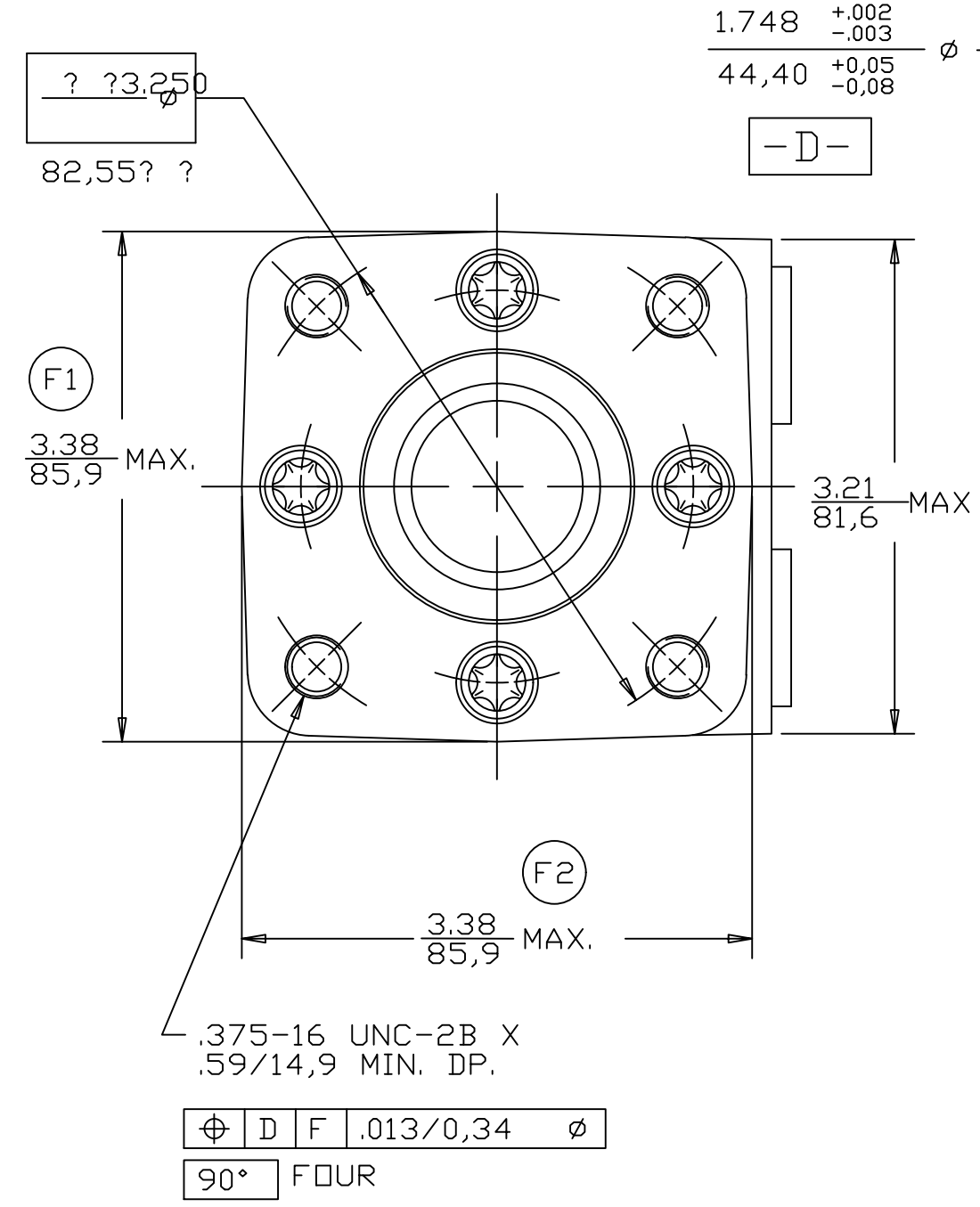


MODEL CODE	DISPLACEMENT IN <sup>3</sup> /REV CC/REV	G MAX
MDH02BXXG0XXXXX	2.2 37	5.45/138,5
MDH03BXXG0XXXXX	2.8 46	5.45/138,5
MDH04BXXG0XXXXX	3.6 59	5.60/142,3
MDH05BXXG0XXXXX	4.5 74	5.60/142,3
MDH06BXXG0XXXXX	5.9 96	5.72/145,3
MDH07BXXG0XXXXX	7.3 120	5.85/148,6
MDH09BXXG0XXXXX	8.9 146	5.99/152,2
MDH10BXXG0XXXXX	9.7 159	6.06/154,0
MDH11BXXG0XXXXX	11.3 185	6.20/157,5
MDH14BXXG0XXXXX	14.1 231	6.45/163,9
MDH18BXXG0XXXXX	17.9 293	6.79/172,5
MDH23BXXG0XXXXX	22.6 370	7.20/182,9

SYM	REVISION	BY	DATE	ECN
A	ENGINEERING RELEASE	RLL	11-10-87	14736
B	-1>(3C)3.25/82,6 MAX WAS 3.21/81,6 MAX-2>(2C)REMOVED 3.31/84,1 Ø MAX -3>(2B)ADDED 3.36/85,4 MAX	DPR	12-13-89	18329
C	-1>(3C) 3.21/81,6 WAS 3.25/82,6 -2> (2B) 3.31/84,1 WAS 3.36/85,4	LK	10-9-90	19520
D	REVISED PICTORIALY	AGJ	4-7-92	22077
E	REVISED PICTORIALY	AGJ	8-27-92	22674
F	-1>(4C)WAS 3.28/83,4 MAX -2>(4B)WAS 3.28/83,4 MAX	SJP	04-07-04	46856
G	REMOVED Danfoss LOGO	SSD	04-23-21	0131343

FOR PORT CONFIGURATION SEE SEPERATE PORT DRAWING

FOR SHAFT CONFIGURATION SEE SEPERATE SHAFT DRAWINGS.



NOTE:

1. ROTATION:  
STANDARD; WHEN FACING SHAFT END OF MOTOR, SHAFT TO ROTATE CLOCKWISE WHEN PORT "A" IS PRESSURIZED. COUNTERCLOCKWISE WHEN PORT "B" IS PRESSURIZED.  
  
REVERSE ; WHEN FACING SHAFT END OF MOTOR, SHAFT TO ROTATE CLOCKWISE WHEN PORT "B" IS PRESSURIZED. COUNTERCLOCKWISE WHEN PORT "A" IS PRESSURIZED.
2. MOUNTING FLANGE:  
B = 4 BOLT STD: 1.75/44,4 DIA. X .12/3,0 PILOT,  
.375-16 MOUNTING HOLES ON 3.25/82,6 DIA. B.C.
3. CASE DRAIN:  
0 = NO CASE DRAIN
4. PORT TYPE:  
G = .750-16 O-RING, END PORTED

S M G

THE REPRODUCTION, DISTRIBUTION, AND UTILIZATION OF THIS DOCUMENT, AS WELL AS THE COMMUNICATION OF ITS CONTENTS TO OTHERS WITHOUT EXPLICIT AUTHORIZATION IS PROHIBITED. OFFENDERS WILL BE HELD LIABLE FOR THE PAYMENT OF DAMAGES. ALL RIGHTS RESERVED IN THE EVENT OF THE GRANT OF A PATENT, UTILITY MODEL, OR DESIGN. (PER ISO 16016)

**Danfoss**

DRAWN RLL 10-23-87 BY/DATE	MATERIAL/HEAT TREAT
CHECKED KQ 1-21-88 BY/DATE	
ENGRG WCV 1-25-88 BY/DATE	TITLE H MOTOR INSTALLATION
DO NOT SCALE	
THIRD ANGLE PROJECTION	LINEAR MEASUREMENT IN/MM NUMBER A-37-318
SCALE FULL SIZE SHEET 1 OF 1	