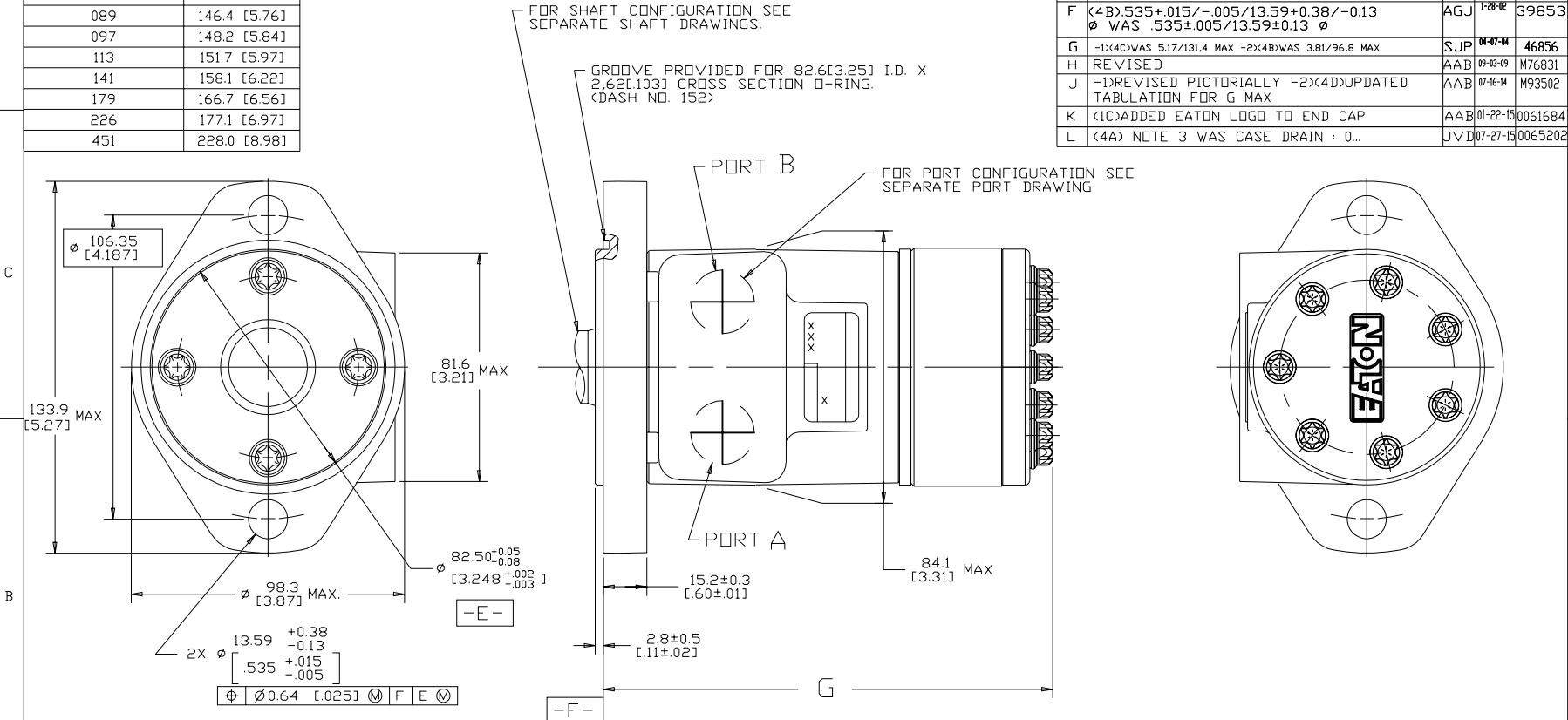


| DISPLACEMENT CODE | G MAX |
|-------------------|--------------|
| 022 | 132.7 [5.22] |
| 025 | 133.5 [5.26] |
| 028 | 132.7 [5.22] |
| 035 | 136.5 [5.37] |
| 045 | 136.5 [5.37] |
| 059 | 139.5 [5.49] |
| 073 | 142.8 [5.62] |
| 089 | 146.4 [5.76] |
| 097 | 148.2 [5.84] |
| 113 | 151.7 [5.97] |
| 141 | 158.1 [6.22] |
| 179 | 166.7 [6.56] |
| 226 | 177.1 [6.97] |
| 451 | 228.0 [8.98] |

| SYM | REVISION | BY | DATE | ECN |
|-----|--|-----|----------|---------|
| A | ENGINEERING RELEASE | RLL | 11-10-87 | 14736 |
| B | -1>(3C)3.25/82.6 MAX WAS 3.21/81.6 MAX-2>(2C)REMOVED 3.31/84.1 Ø MAX-3>(2B)ADDED 3.36/85.4 MAX | DPR | 12-13-89 | 18329 |
| C | -1>(3C) 3.21/81.6 WAS 3.25/82.6 -2>(2B) 3.31/84.1 WAS 3.36/85.4 | LK | 10-9-90 | 19520 |
| D | -1>REVISED G MAX TAB -2>REVISED PICTORIALY | AGJ | 8-27-92 | 22674 |
| E | <4D>ADDED MOH45A... TO TAB | GCB | 8-20-96 | M16003 |
| F | <4B>535+.015/-005/13.59+0.38/-0.13 Ø WAS .535±.005/13.59±0.13 Ø | AGJ | 1-28-02 | 39853 |
| G | -1>(4C)WAS 5.17/131.4 MAX -2>(4B)WAS 3.81/96.8 MAX | SJP | 04-07-04 | 46856 |
| H | REVISED | AAB | 09-03-09 | M76831 |
| J | -1>REVISED PICTORIALY -2>(4D)UPDATED TABULATION FOR G MAX | AAB | 07-16-14 | M93502 |
| K | <1C>ADDED EATON LOGO TO END CAP | AAB | 01-22-15 | 0061684 |
| L | <4A> NOTE 3 WAS CASE DRAIN : 0... | JVD | 07-27-19 | 0065202 |



NOTE:

- ROTATION:
STANDARD; WHEN FACING SHAFT END OF MOTOR, SHAFT TO ROTATE CLOCKWISE WHEN PORT "A" IS PRESSURIZED. COUNTERCLOCKWISE WHEN PORT "B" IS PRESSURIZED.
REVERSE ; WHEN FACING SHAFT END OF MOTOR, SHAFT TO ROTATE CLOCKWISE WHEN PORT "B" IS PRESSURIZED. COUNTERCLOCKWISE WHEN PORT "A" IS PRESSURIZED.
- MOUNTING FLANGE:
AA = 2 BOLT STD : Ø82.50[3.248] X 3.05[.120] PILOT, Ø13.59[.535] MOUNTING HOLES ON Ø106.35[4.187] BOLT CIRCLE
- CASE DRAIN:
00 = NO CASE DRAIN

CS REVIEWED FOR CLASSIFICATION PER ESP -042

DRAWING BASED ON ANSI Y14.5M-1982

EATON CORPORATION - CONFIDENTIAL AND PROPRIETARY
NOTICE TO PERSONS RECEIVING THIS DRAWING AND / OR TECHNICAL INFORMATION

EATON
Powering Business Worldwide
Eaton Hydraulics, LLC
14615 Lone Oak Road
Eaton Prairie, MN 55344
USA

UNLESS OTHERWISE SPECIFIED ALL DIMENSIONS ARE IN INCHES
MILLIMETERS (INCHES)

TOLERANCES
X ±-----
XX ±-----
XXX ±-----
Ø ±-----

UNSPECIFIED RADI ARE: -----
METALLURGY -----

UNSPECIFIED DRAFT ANGLES ARE: -----
THIRD ANGLE PROJECTION

B SIZE DO NOT SCALE

WEDNESDAYS
MICROMETERS
MICROMETERS
250/
ARITHMETICAL AVERAGE

DRAWN BY/DATE RLL 10-19-87
CHECKED BY/DATE KO 1-21-88
ENGR BY/DATE WCW 1-25-88
MATERIAL/HEAT TREAT
TITLE H MOTOR INSTALLATION

NUMBER A-37-310
SCALE 1/1 SHEET 1 OF 1