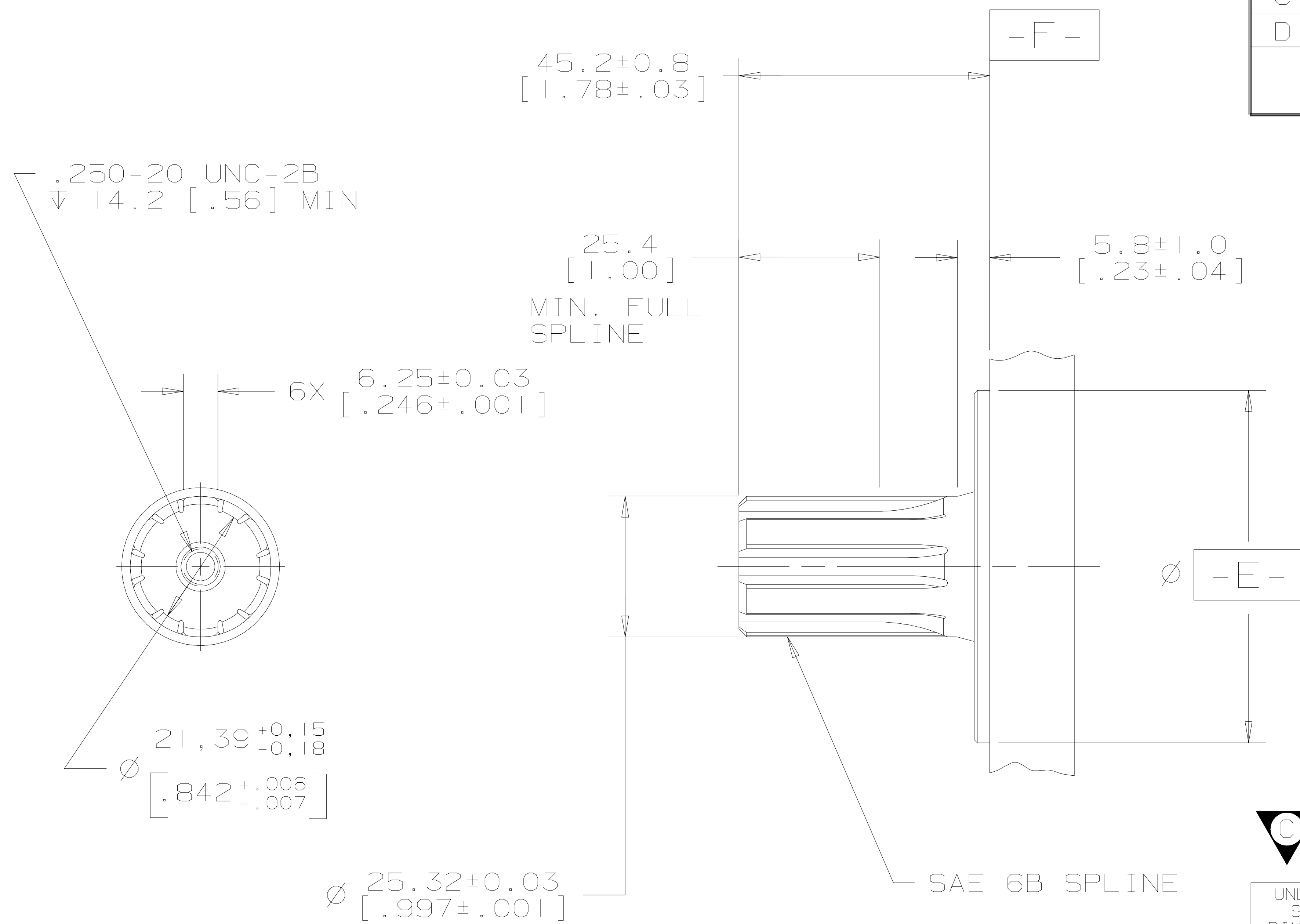


REV	DESCRIPTION	BY	CHK	DATE	ECN
A	ENGINEERING RELEASE	RLL		11-10-87	14736
B	PICTORIAL CHANGE	DGS		7-11-89	17550
C	PICTORIAL CHANGE	MLL		3-19-02	38026
D	UPDATED TO CURRENT FORMAT	CSGSSD		03/04/10	M78543



◎	∅ 0.26 [.010]	E
⊥	0.08 [.003]	F

OUTPUT SHAFT
 02 = ∅ 25.4 [1.00] SAE 6B SPLINE
 WITH 1/4-20 UNC-2B THREADED HOLE

REVIEWED FOR CLASSIFICATION PER ESP-042

UNLESS OTHERWISE SPECIFIED ALL DIMENSIONS ARE IN INCHES <input type="checkbox"/> MILLIMETERS [INCHES] <input checked="" type="checkbox"/>	DRAWING BASED ON ANSI Y14.5M-1982	
	EATON CORPORATION - CONFIDENTIAL AND PROPRIETARY NOTICE TO PERSONS RECEIVING THIS DRAWING AND / OR TECHNICAL INFORMATION <small>THIS DOCUMENT, INCLUDING THE DRAWING AND INFORMATION CONTAINED THEREON, IS CONFIDENTIAL AND IS THE EXCLUSIVE PROPERTY OF EATON CORPORATION, AND IS MERELY ON LOAN AND SUBJECT TO RECALL BY EATON AT ANY TIME. BY TAKING POSSESSION OF THIS DOCUMENT, THE RECIPIENT ACKNOWLEDGES AND AGREES THAT THIS DOCUMENT CANNOT BE USED IN ANY MANNER ADVERSE TO THE INTERESTS OF EATON, AND THAT NO PORTION OF THIS DOCUMENT MAY BE COPIED OR OTHERWISE REPRODUCED WITHOUT THE PRIOR WRITTEN CONSENT OF EATON. IN THE CASE OF CONFLICTING CONTRACTUAL PROVISIONS, THIS NOTICE SHALL GOVERN THE STATUS OF THIS DOCUMENT.</small> COPYRIGHT 2008 EATON CORPORATION - ALL RIGHTS RESERVED.	
TOLERANCES .X ± ---- .XX ± REF .XXX ± ONLY ∠ ± ----°	DRAWN RLL BY/DATE 11-3-87	MATERIAL/HEAT TREAT
	CHECKED BY/DATE	
UNSPECIFIED RADII ARE: -----	ENGRG BY/DATE	TITLE SHAFT INSTALLATION
UNSPECIFIED DRAFT ANGLES ARE: -----°	METALLURGY ----- BY/DATE -----	
B SIZE	THIRD ANGLE PROJECTION DO NOT SCALE	NUMBER A-109-002
	ARITHMETICAL AVERAGE	SCALE 1/1 SHEET 1 OF 1

