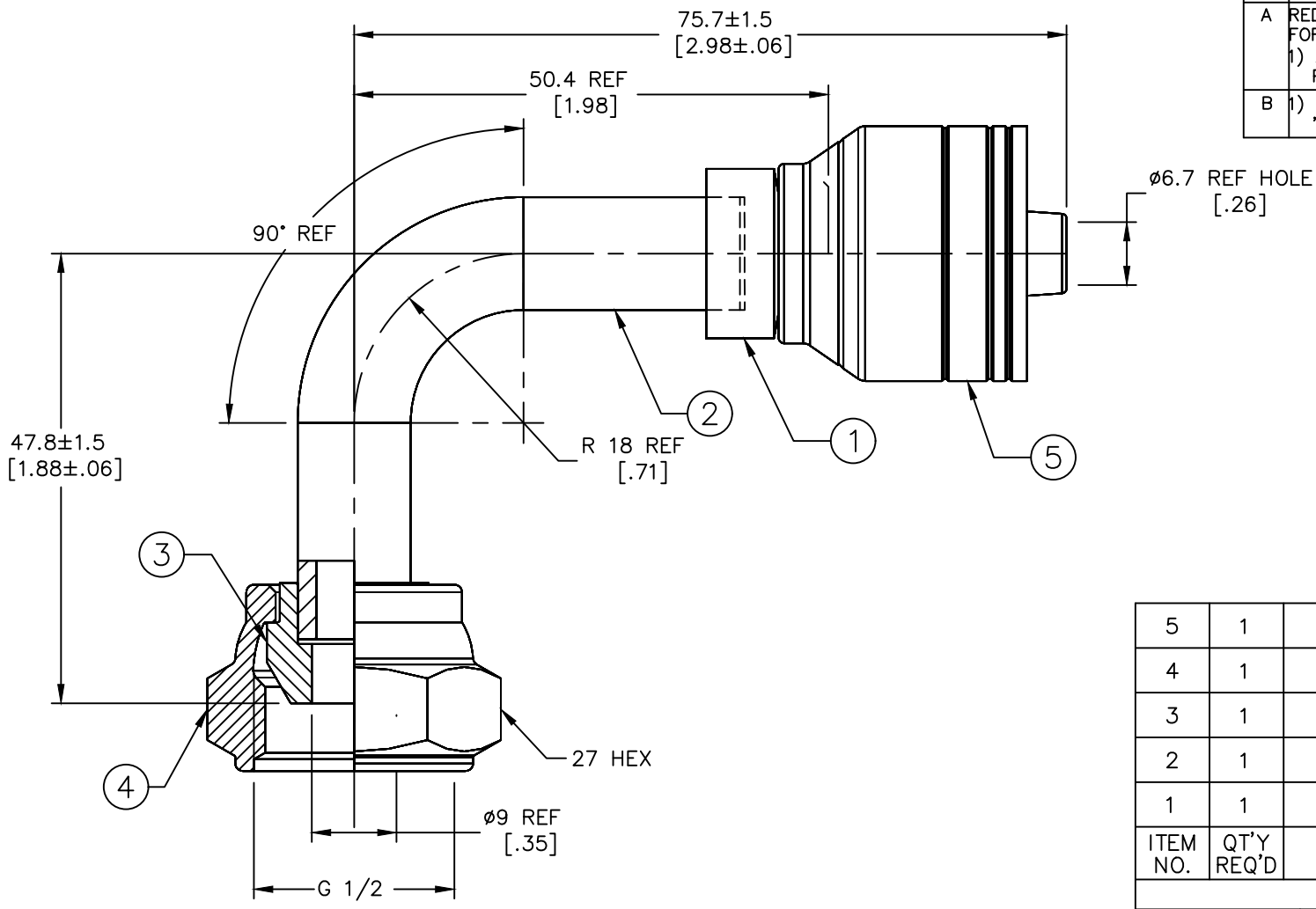


REVISIONS			
REV	DESCRIPTION	DATE	APPROVED
A	REDRAWN, UPDATED TO LATEST FORMAT & DIMENSION STYLE. 1) ADDED WEATHERHEAD PART NUMBER 06Z-78P	2007-10-29 RHJ/KBM	0007202-ECO DP-1693
B	1) NOTE #2 b) WAS "ZINC PLATE PER ES 2751".	2020-05-20 AKG	CO-0203375



3. AEROQUIP PART NUMBER- 1A8BFB6
WEATHERHEAD PART NUMBER- 06Z-78P (A)
2. PROCESS AS FOLLOWS:
a) BRAZE PER ACES 2814 (B)
b) ZINC PLATE PER ES 2751D8.
c) CRIMP NUT PER ACES 2813
d) ASSEMBLE SOCKET PER ACES 2813.
1. DIMENSIONS ARE IN MILLIMETERS [INCH].

ITEM NO.	QTY REQ'D	DESCRIPTION	PART NUMBER	MATERIAL
5	1	SOCKET	1A6	STEEL
4	1	NUT	SH18306-08	STEEL
3	1	SHOULDER	1F40026-1208AR	STEEL
2	1	TUBE	19.020-12.28	STEEL
1	1	NIPPLE	1F90001-1206AR	STEEL

LIST OF MATERIALS

DRAWN R. JAGTAP		Danfoss FLUID CONVEYANCE DIVISION	
CHECKED K. MEHTA			
APPROVED M. TALWALKAR		DRAWING TITLE	
RELEASE DATE 2007-10-29		FITTING ASSEMBLY	
0007202-ECO		90°, BSP FEMALE SWIVEL	
DP-1693		1 AND 2 WIRE BRAIDED HOSE	
FIRST ANGLE PROJECTION	SIZE A3	DRAWING NUMBER 1A8BFB6	REV B
SCALE 2/1	DIST U	CAGE CODE D2497	SHEET 1

METRIC

THE REPRODUCTION, DISTRIBUTION, AND UTILIZATION OF THIS DOCUMENT AS WELL AS THE COMMUNICATION OF ITS CONTENTS TO OTHERS WITHOUT EXPLICIT AUTHORIZATION IS PROHIBITED. OFFENDERS WILL BE HELD LIABLE FOR THE PAYMENT OF DAMAGES. ALL RIGHTS RESERVED IN THE EVENT OF THE GRANT OF A PATENT, UTILITY MODEL OR DESIGN. (PER ISO 16016)