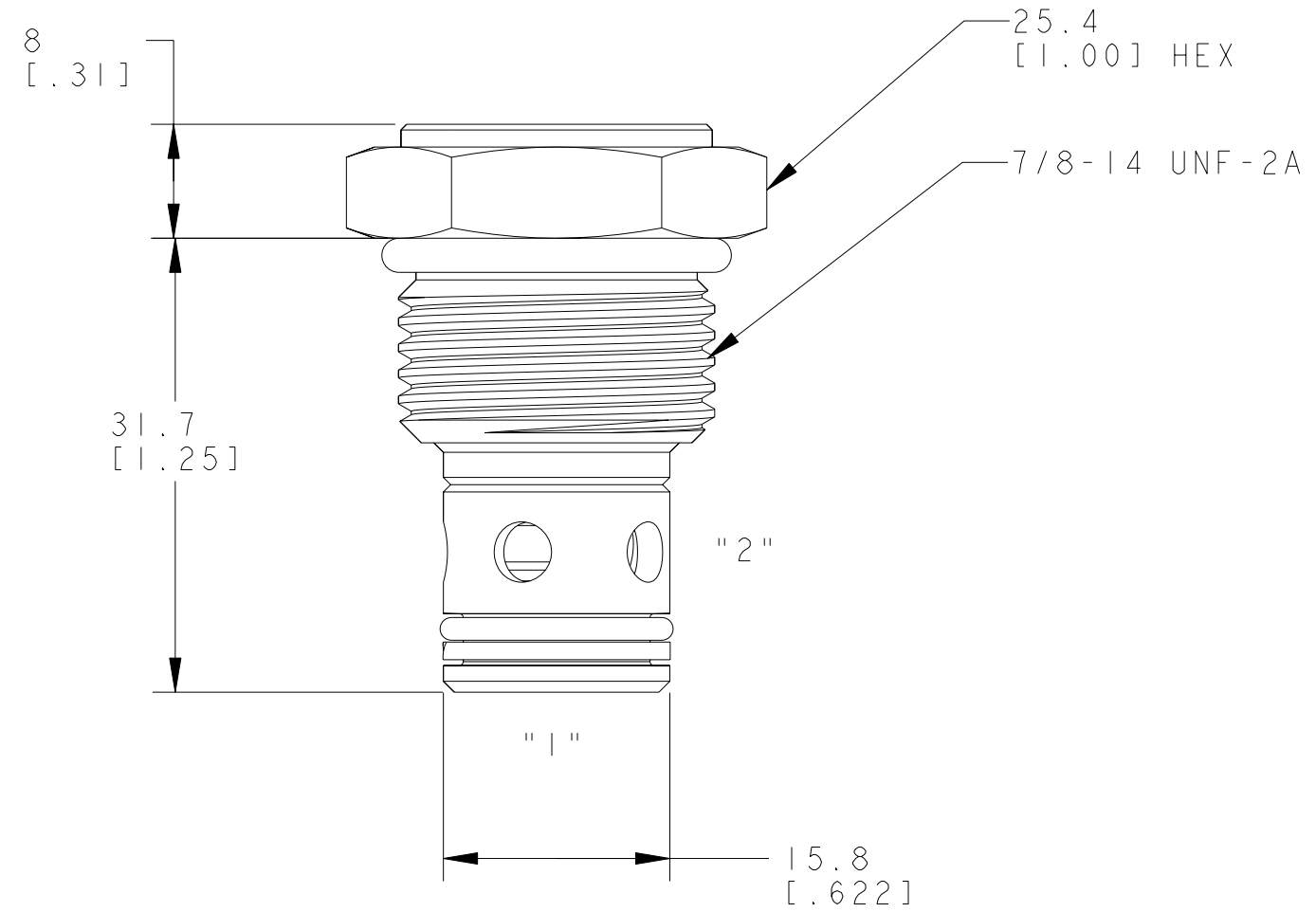


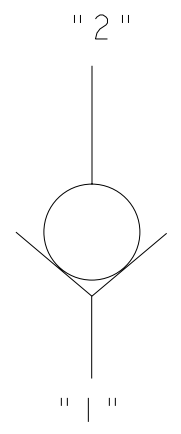
REV	DESCRIPTION	BY	CHK	DATE	ECN / MPS
A	RELEASE FOR SAMPLES AND ESTIMATES	JGS	AH	2/12/05	M63978



NOTE:

- 1 USE VALVE CAVITY C-10-2
- 2 NET WEIGHT: .08 kg [.17 lb]
- 3 TORQUE INTO CAVITY:
ALUMINUM CAVITY: 47-54 N·m [35-40 lbf·ft]
STEEL CAVITY: 68-75 N·m [50-55 lbf·ft]

MC
DISTRIBUTION CODE(S)



UNLESS OTHERWISE SPECIFIED ALL DIMENSIONS ARE IN INCHES <input type="checkbox"/> MILLIMETERS (INCHES) <input checked="" type="checkbox"/>	DRAWING BASED ON ANSI Y14.5M-1982	
	THE REPRODUCTION, DISTRIBUTION, AND UTILIZATION OF THIS DOCUMENT, AS WELL AS THE COMMUNICATION OF ITS CONTENTS TO OTHERS WITHOUT EXPLICIT AUTHORIZATION IS PROHIBITED. OFFENDERS WILL BE HELD LIABLE FOR THE PAYMENT OF DAMAGES. ALL RIGHTS RESERVED IN THE EVENT OF THE GRANT OF A PATENT, UTILITY MODEL, OR DESIGN. (PER ISO 16016)	
TOLERANCES .X ± .XX ± .XXX ± ∠ ±	DRAWN JGS BY/DATE 10/21/04	MATERIAL/HEAT TREAT \
UNSPECIFIED RADII ARE: ----	CHECKED JGS BY/DATE 10/21/04	TITLE CHECK VALVE
UNSPECIFIED DRAFT ANGLES ARE: -----°	ENGRG NF BY/DATE 11/2/04	NUMBER A-2591-009
B SIZE	THIRD ANGLE PROJECTION DO NOT SCALE	SCALE 2/1 SHEET 1 OF 1

