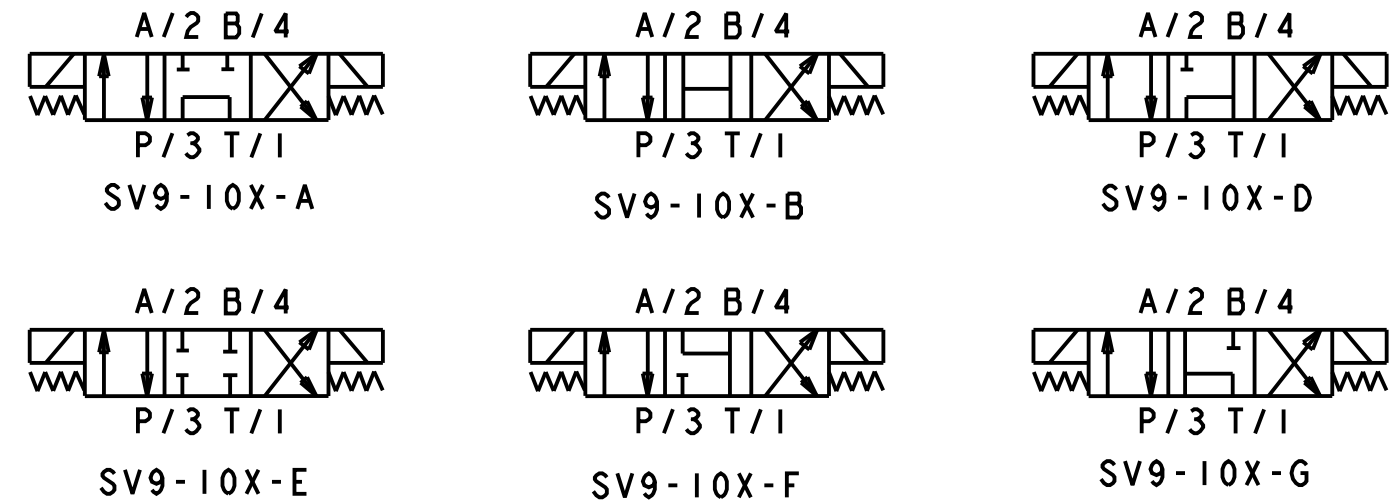
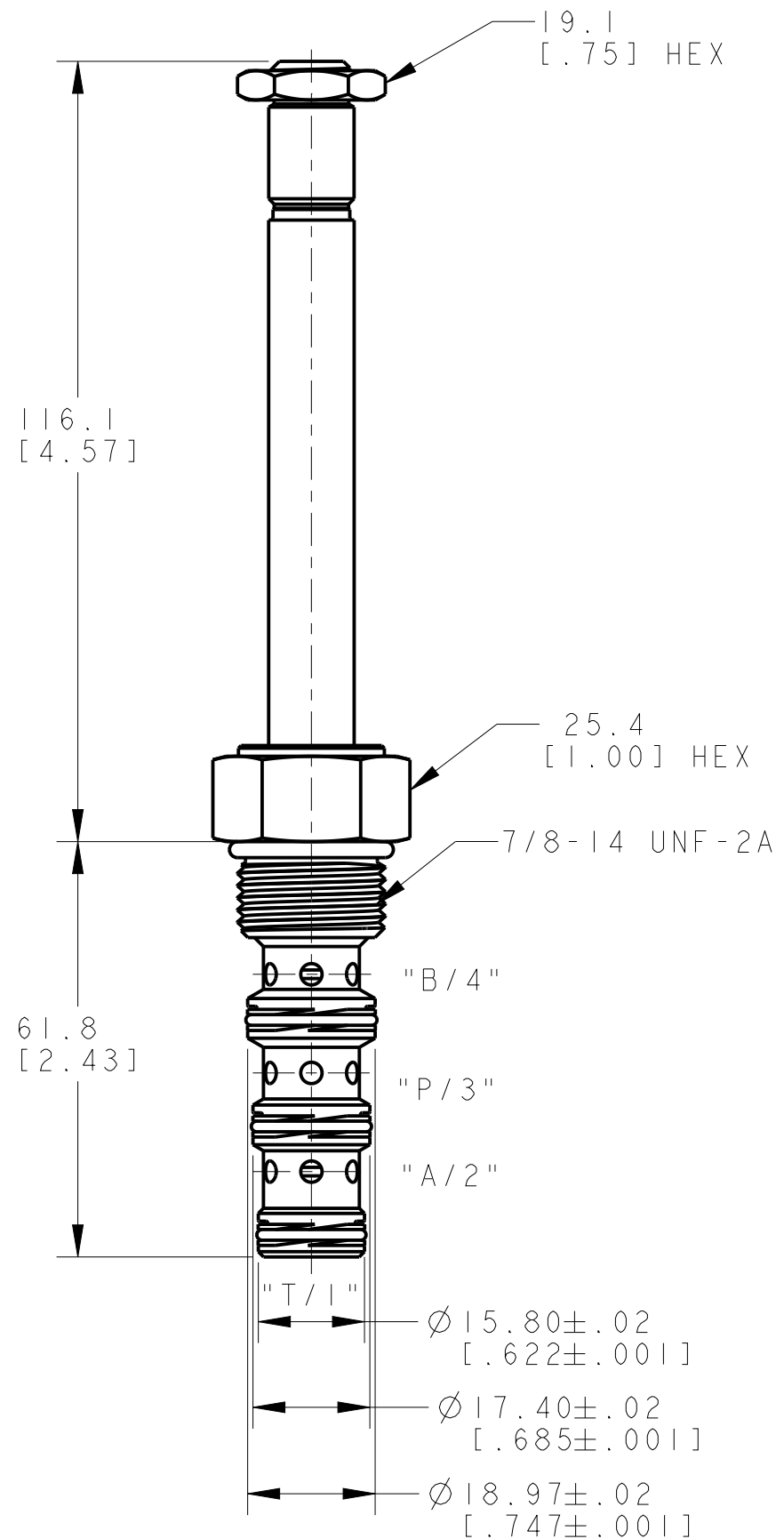


REV	DESCRIPTION	BY	CHK	DATE	ECN / MPS
A	ENGINEERING RELEASE	LMD	JGS	2-12-05	M63978
B	ADDED SYMBOL FOR SV9-10X-A	YKP	YKP	04/20/15	M94297



NOTE:

- USE VALVE CAVITY #C-10-4
- NET WEIGHT:  
CARTRIDGE ONLY: 0.23 kg [.5 lb]  
CARTRIDGE W/COIL: 0.87 [1.9 lb]  
CARTRIDGE W/COIL AND BODY: 1.23 kg [2.7 lb]
- TORQUE INTO CAVITY:  
ALUMINUM CAVITY: 47-54 N·m [35-40 lbf·ft]  
STEEL CAVITY: 68-75 N·m [50-55 lbf·ft]

UNLESS OTHERWISE SPECIFIED ALL DIMENSIONS ARE IN INCHES <input type="checkbox"/> MILLIMETERS (INCHES) <input checked="" type="checkbox"/>	DRAWING BASED ON ANSI Y14.5M-2009	
	THE REPRODUCTION, DISTRIBUTION, AND UTILIZATION OF THIS DOCUMENT, AS WELL AS THE COMMUNICATION OF ITS CONTENTS TO OTHERS WITHOUT EXPLICIT AUTHORIZATION IS PROHIBITED. OFFENDERS WILL BE HELD LIABLE FOR THE PAYMENT OF DAMAGES. ALL RIGHTS RESERVED IN THE EVENT OF THE GRANT OF A PATENT, UTILITY MODEL, OR DESIGN. (PER ISO 16016)	
TOLERANCES .X ± ---- .XX ± ---- .XXX ± ---- < ± ----	DRAWN LMD BY/DATE 8-31-05 CHECKED JGS BY/DATE 10-26-05 ENGRG JGS BY/DATE 10-26-05 METALLURGY ---- BY/DATE	MATERIAL/HEAT TREAT  TITLE SOLENOID VALVE INSTALLATION
UNSPECIFIED RADII ARE: ----	<input checked="" type="checkbox"/> MICROINCHES <input type="checkbox"/> MICROMETERS (MICROINCHES)	NUMBER A-2416-104
UNSPECIFIED DRAFT ANGLES ARE: ----°	THIRD ANGLE PROJECTION DO NOT SCALE	SCALE 1/2 SHEET 1 OF 1
B SIZE	ARITHMETICAL AVERAGE <input checked="" type="checkbox"/>	